

CUT SHEET:

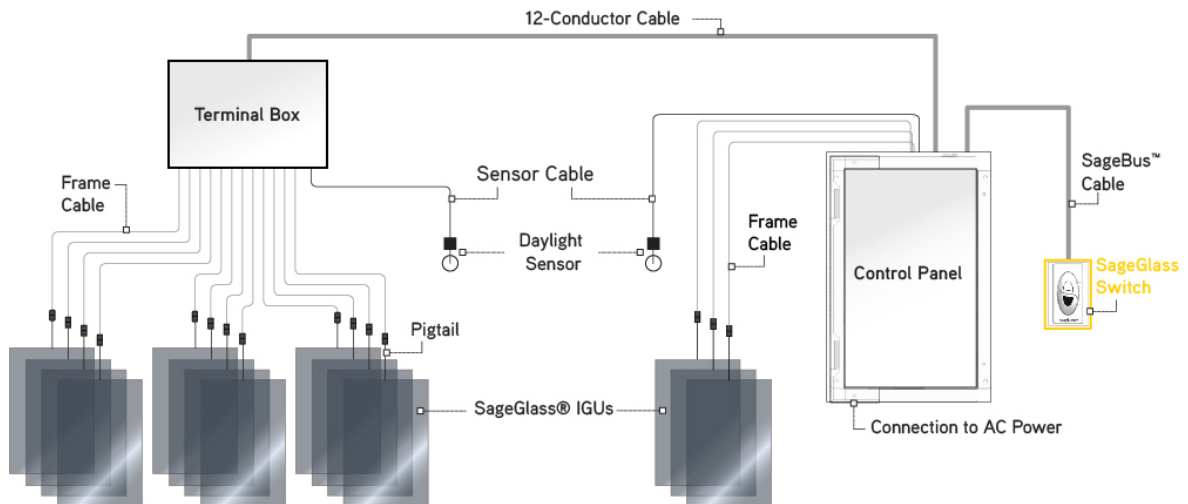
SAGEGLASS SWITCH

With European Mounting Bracket



PRODUCT OVERVIEW

The SageGlass® Switch provides manual override control for one or more zones of insulating glass units (IGUs). The SageGlass Switch includes a user interface keypad and mounting kit for installation in a single or multi-gang box. The keypad is typically located in the same room that contains the SageGlass IGUs, but this is not a requirement. One or more switches can be used to control the same zone of IGUs; similarly, one switch may control multiple zones.



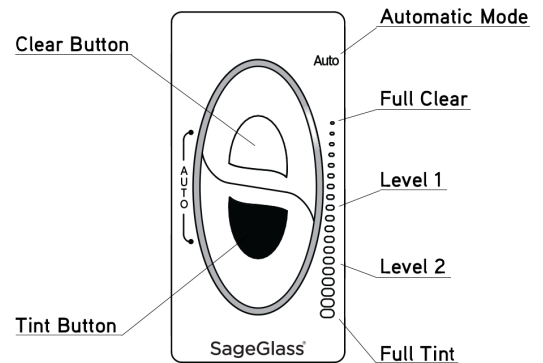
The SageGlass Switch contains a tint button, clear button and five LEDs: Automatic Mode, Full Clear, Level 1, Level 2 and Full Tint. The buttons are used to control the SageGlass IGUs while the LEDs indicate the current IGU tint level.

SAGEGLASS SWITCH OPERATION

The SageGlass Switch contains five LEDs and two independent buttons. A description of each of these is as follows:

LED indicators

- Auto - The “auto” LED will be ON when the zone is in automatic mode. This LED’s on state is blue.
- Clear - The “clear” LED will be ON when the current commanded state of the zone is clear. This LED’s on state is white.
- Level 1 - The “Level 1” LED will be ON when the current commanded state of the zone is at, or closest to the intermediate 1 tint level. This LED’s on state is blue.
- Level 2 - The “Level 2” LED will be ON when the current commanded state of the zone is at, or closest to the Level 2 tint level. This LED’s on state is blue.
- Tint - The “tint” LED will be ON when the current commanded state of the zone full tint. This LED’s on state is blue.



Buttons

- Tint Button - The Tint Button is used to put the windows in the next darker tint state.
- Clear Button - The Clear Button is used to put the windows in the next lighter tint state.

Operating Modes

There are two mode of operation associated with the wall switch: Automatic Mode and Manual Mode. When the zone associated with the wall switch is in automatic mode, the tint level of the window(s) is automatically controlled based on the light level read by a daylight sensor. The Auto LED will be ON, and the target tint level of the window will be shown on the corresponding LED. The first example to the right shows Auto ON, and a target tint of **Level 1**.

During Manual Mode operation, the state of the window(s) remains constant regardless of the light level. While in Manual Mode, the target tint level of the window will be shown on the corresponding LEDs. The second example to the right shows Manual Mode ON, and a target tint of **Level 2**.

When in automatic mode, any button press will take the system out of automatic mode, and force the glass to the desired level. The glass will stay at the requested state for a configurable amount of time. Typically this is set to 120 minutes. Contact SAGE to change this time. At the end of the configured time period, the glass will revert to automatic mode. A button press during this time will keep the window(s) at the new desired level for the full configured time period.

Mode: Automatic
Tint Level: **Level 1**



Mode: Manual
Tint Level: **Level 2**



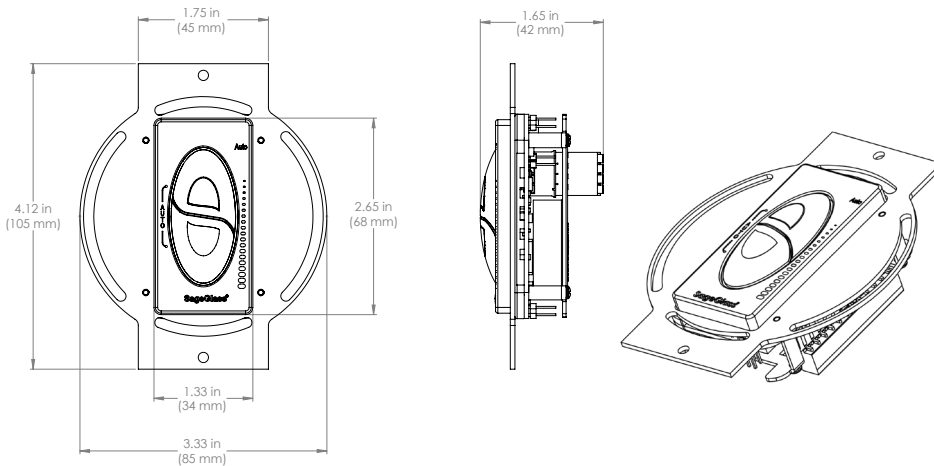
Button Operation

At any time, Auto Mode can be enabled by pressing both the Tint and the Clear Button simultaneously. At any time, Manual Mode can be enabled by pressing either the Tint Button or the Clear Button. Once in Manual Mode, the Tint Button will cause the target tint level to go to the next darker tint level. The Clear button will cause the target tint level to go to the next lighter tint level.

LED Operation

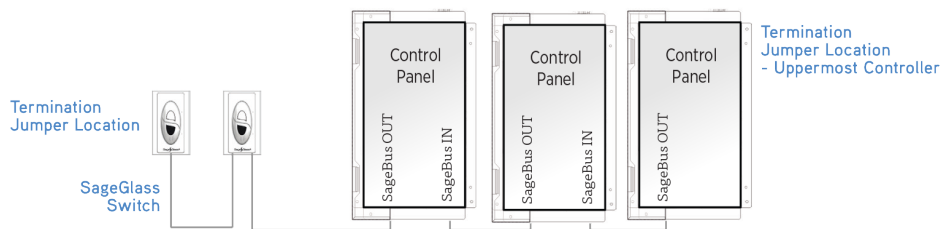
A flashing LED indicates the IGUs are transitioning from one tint level to the next. The flashing will slow down as the IGU gets closer to the desired tint level. A solid LED indicates that the IGU has reached the desired tint level.

PRODUCT DIMENSIONS



INSTALLATION REQUIREMENTS

SageGlass Switches must be daisy-chained together using SageBus™ Cables, as shown below. Termination jumpers are required on any SageGlass Switch located at the end of line of the daisy-chained SageBus.



MOUNTING SECTION

This SageGlass Switch is designed to be mounted in a 85 mm diameter and 40 mm MIN depth electrical wall box. A decorative cover is included. Decorative cover outside dimensions are 133mm x 100mm.

GET IN TOUCH

SageGlass® is the pioneer of the world's smartest dynamic glass and is transforming the indoor experience for people by connecting the built and natural environments. Electronically tintable SageGlass tints or clears on demand to control sunlight and prevent heat and glare without the need for blinds or shades. SageGlass dramatically reduces energy demand and the need for HVAC by blocking up to 91 percent of solar heat. As part of Saint-Gobain, SageGlass is backed by more than 350 years of building science expertise that only the world leader in sustainable environments can provide.

(877)724-3321

archsolutions@sageglass.com

www.sageglass.com



RATINGS & CERTIFICATIONS



ORDERING INFORMATION

SAGE PART NUMBER

300-1100-001

SAGE Electrochromics, Inc.
2 Sage Way • Faribault, MN 55021 USA

© SAGE Electrochromics, Inc. All rights reserved. SageGlass is a registered trademark of SAGE Electrochromics, Inc. SCS-036.1

