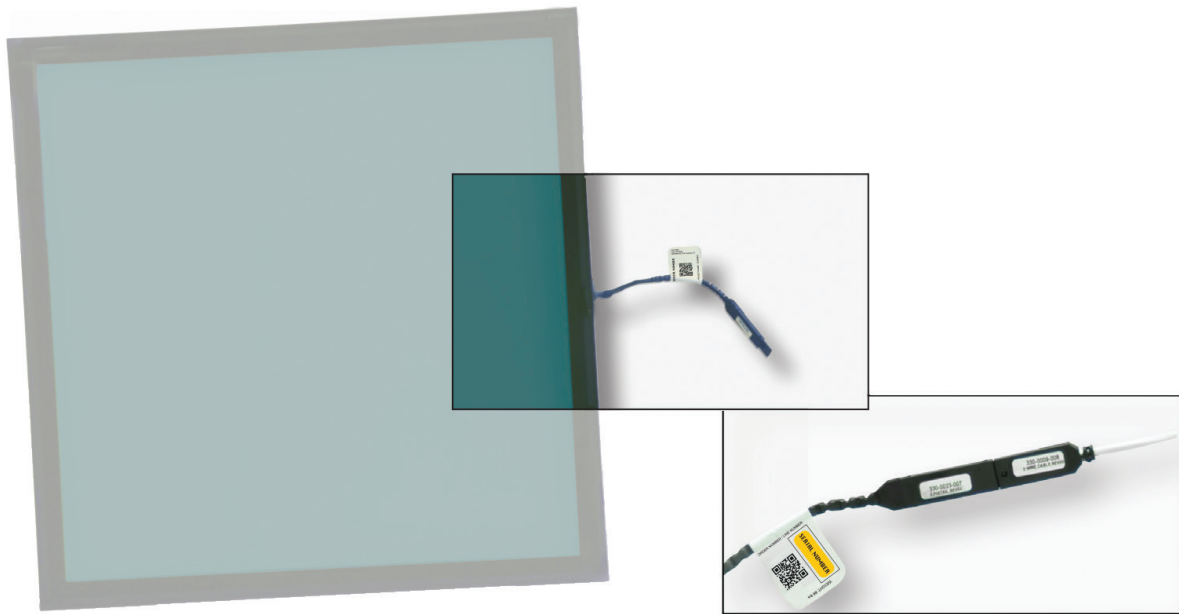


PRODUCT SHEET

IGU PIGTAIL

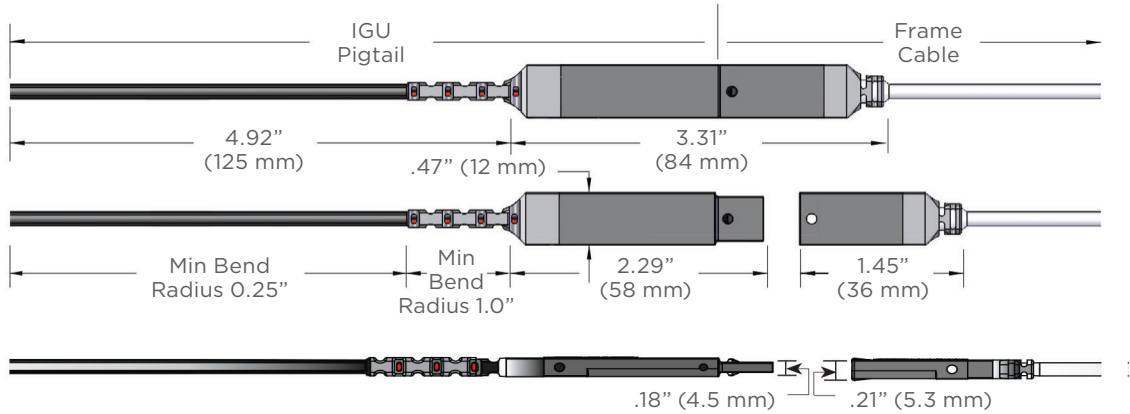
The SageGlass® IGU Pigtail is a cable that extends from one edge of each SageGlass insulating glass unit (IGU) and connects to the Frame Cable, providing the electrical connection to the individual SageGlass IGU. It also stores an electronic serial number and IGU-specific data that is used for system startup, commissioning and troubleshooting. Each IGU will have one pigtail. For pigtail locations, see document SCS-046.



PRODUCT RATINGS



PRODUCT DIMENSIONS



PIGTAIL LABEL

FRONT



BACK



CONDUCTOR COUNT

USED PER WIRING/ELEVATION DIAGRAM

2 CONDUCTOR



4 CONDUCTOR



IGU PIGTAIL

FRAME CABLE

WHY SAGEGLASS?

1,000+
Installations

27+
Countries

560+
Patents

SageGlass® is the pioneer of the world's smartest dynamic glass. Electronically tintable SageGlass tints or clears automatically to optimize daylight levels while preventing heat and glare without the need for blinds or shades. SageGlass delivers superior comfort, enhances occupant well-being and saves energy. As part of Saint-Gobain, SageGlass is backed by more than 350 years of building science expertise that only the world leader in sustainable environments can provide.

For additional product and instructional information, visit: [sageglass.com/resources](https://www.sageglass.com/resources)