

# PRODUCT SHEET

## WALL TOUCH PANEL

The Wall Touch Panel allows users to manually adjust the tint level of the SageGlass dynamic glazing system.



### DIMENSIONS AND SPECIFICATIONS

| Part Numbers                      | Dimensions |        |                 |             |
|-----------------------------------|------------|--------|-----------------|-------------|
|                                   | Width      | Height | Depth from wall | Total Depth |
| Standard Kit: 300-1182-001        | 3.4"       | 5.0"   | 0.5"            | 1.3"        |
| Surface Mounted Box: 300-1184-001 | 4.0"       | 6.1"   | 2.3"            | 2.3"        |

| Interface    | Description             | Specifications |
|--------------|-------------------------|----------------|
| PoE Ethernet | Communication and Power | 10/100M        |

| Peak Power | Input        |         | PoE Standard        |
|------------|--------------|---------|---------------------|
|            | Voltage      | Current |                     |
| 2.4 W      | 44 - 57 V DC | 50 mA   | IEEE 802.3af Type 1 |

### PRODUCT RATINGS



## PACKAGE INCLUDES

1. Wall Touch Panel
2. Mounting Bracket

## TOOLS AND MATERIALS REQUIRED

1. Drywall saw
2. #1 Phillips screwdriver (or drill with #1 Phillips bit)
3. Framing stud finder

## SYSTEM REQUIREMENTS

The Wall Touch Panel communicates to the Symphony system via Ethernet and receives power via Power over Ethernet (PoE).

1. For commercial applications, use Ethernet cables, category CAT5e or above.
2. For residential applications, use shielded Ethernet cables, category CAT5e or above.

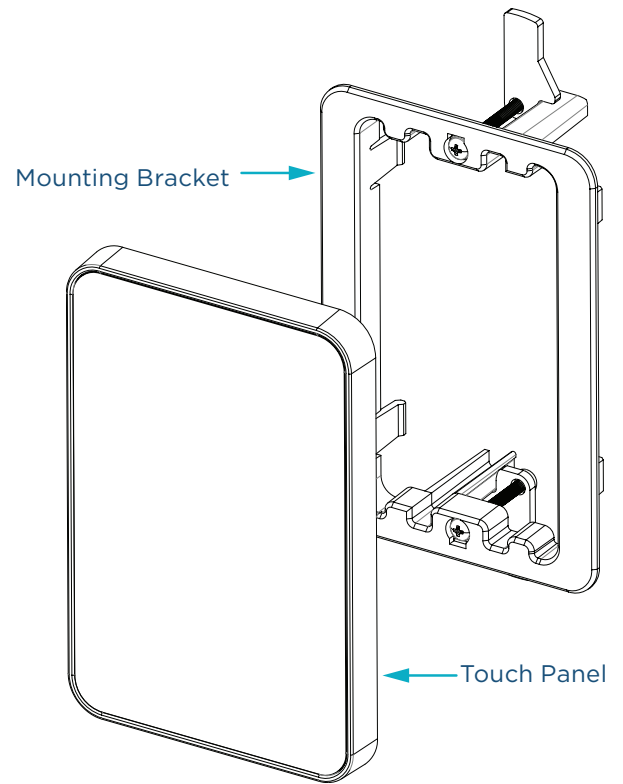


FIGURE 1: PRODUCT VIEW

## INSTALLATION

### STEP 1: INSTALL MOUNTING BRACKET

1. Select a location on the wall to install the Wall Touch Panel. Using a stud finder, ensure there is no framing behind the drywall in the chosen location.
2. Using provided template, draw and cut 4.5" X 2.5" rectangular opening in drywall for Mounting Bracket.
3. Attach clamp pad plates to the Mounting Bracket (if not already attached) and set clamping distance to be slightly larger than drywall thickness.
4. Turn clamp pads inwards and locate them inside Mounting Bracket profile.
5. Slide Mounting Bracket into the opening and using the #1 Philips screwdriver or drill, tighten screws to clamp the bracket to the drywall.

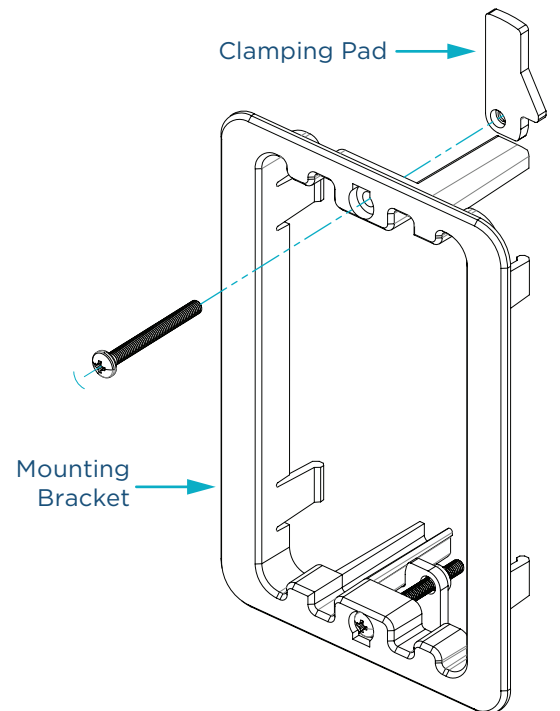


FIGURE 2: MOUNTING BRACKET INSTRUCTIONS

### STEP 2: RUN CABLES

Feed Ethernet cable through the Mounting Bracket opening into the wall. Leave about two inches from Mounting Bracket front face to cable end for easy connection.

### STEP 3: CONNECT DATA AND POWER CABLES

Connect Ethernet cable to Wall Touch Panel.

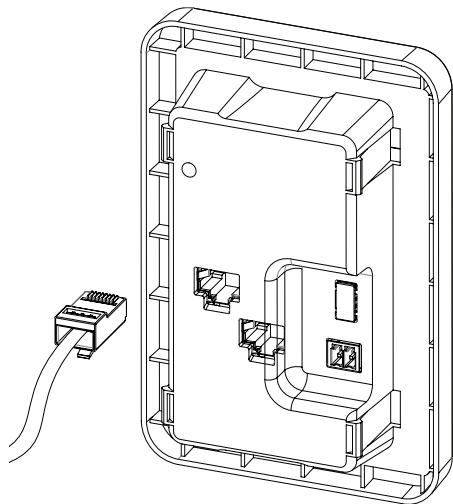


FIGURE 3: CABLE CONNECTION

### STEP 4: MOUNT THE WALL TOUCH PANEL

Snap Wall Touch Panel into Mounting Bracket opening.

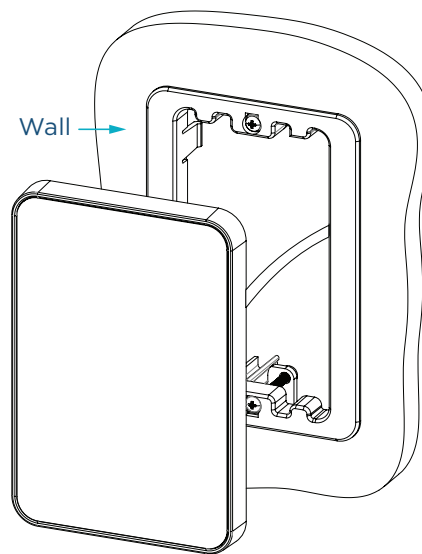


FIGURE 4: WALL TOUCH PANEL MOUNTING

### STEP 5: FINAL PREPARATION

Remove the protective clear film from Wall Touch Panel screen.

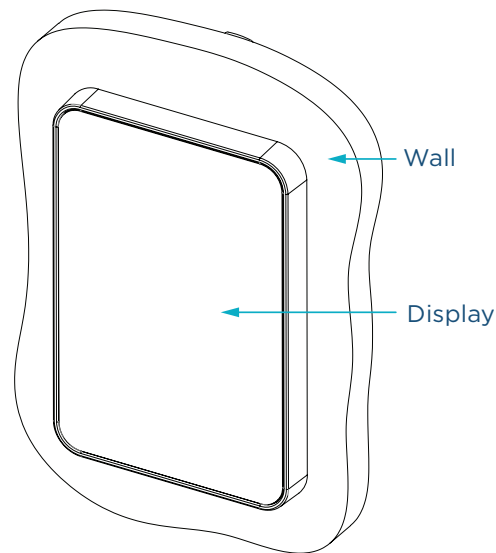


FIGURE 5: FINAL PREPARATION

## WHY SAGEGLASS?

**1,000+**  
Installations

**27+**  
Countries

**560+**  
Patents

SageGlass® is the pioneer of the world's smartest dynamic glass. Electronically tintable SageGlass tints or clears automatically to optimize daylight levels while preventing heat and glare without the need for blinds or shades. SageGlass delivers superior comfort, enhances occupant well-being and saves energy. As part of Saint-Gobain, SageGlass is backed by more than 350 years of building science expertise that only the world leader in sustainable environments can provide.

For additional product and instructional information, visit: [sageglass.com/resources](https://sageglass.com/resources)