

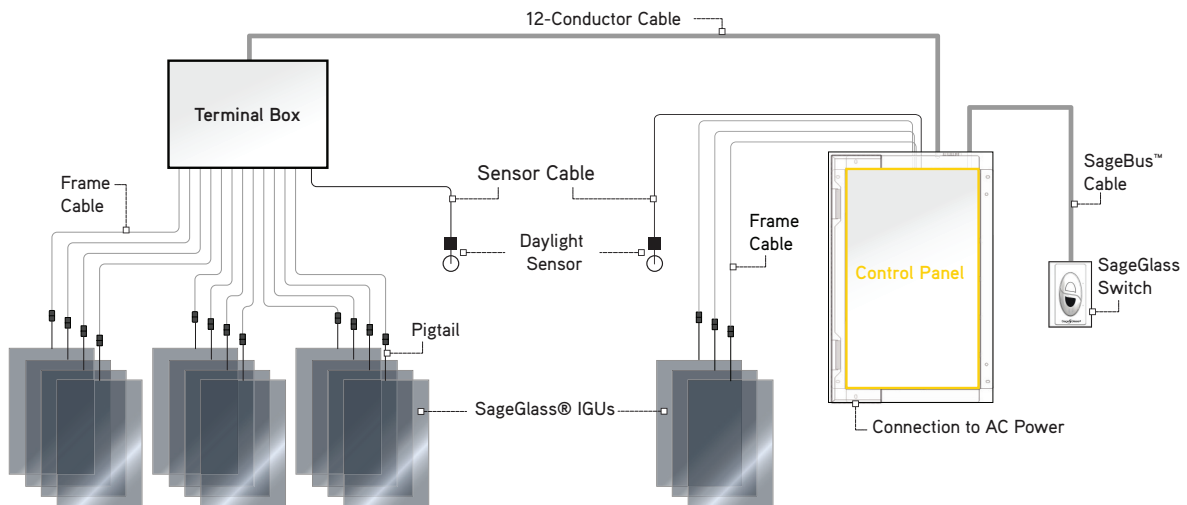
CUT SHEET:  
**CE CONTROL PANEL**



**PRODUCT OVERVIEW**

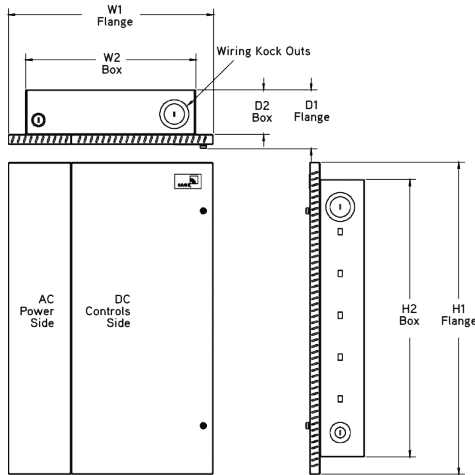
The SageGlass® CE Control Panel houses the electronics required to operate SageGlass insulating glass units (IGUs). It comprises two primary components: 1) the carrier plate that provides a mounting surface for all required electronics; and 2) the control panel housing, which provides a mechanical enclosure for the mounted electronics. The two components are typically shipped together, but can be shipped separately if requested by the customer.

The CE Control Panel can be ordered in any of three sizes based upon the number of SageGlass IGUs to be operated.



The CE Control Panel houses the electronic components that operate the SageGlass insulating glass units.

PRODUCT DIMENSIONS



RATINGS & CERTIFICATIONS

IP2X  
CE  
FC

CONTROL PANEL SIZE	MODEL NUMBER	FLANGE DIMENSIONS (MILLIMETERS)			BOX DIMENSIONS (MILLIMETERS)			MAX IGUs <sup>1</sup>	MAX M <sup>2</sup> <sup>2</sup>	VOLTAGE (AC)	MAX-POWER (W)
		WIDTH (W1)	HEIGHT (H1)	DEPTH (D1)	WIDTH (W2)	HEIGHT (H2)	DEPTH (D2)				
SMALL	300-1115	436	664	125	362	591	95	48	< 50	110 230	270
MEDIUM	300-1116	518	969	125	445	895	95	144	50 - 100	110 230	610
LARGE	300-1117	518	1375	125	445	1302	95	192	100 - 200	110 230	880

<sup>1</sup> Maximum IGUs is dependent on the size of the IGU and the cable distance between the control panel and the IGU.

<sup>2</sup> Maximum m<sup>2</sup> is dependent on cable distance between control panel and IGU.

ENVIRONMENTAL

- Conditioned space: 0°-40° C; 0%-90% relative humidity, non-condensing.
- For mounting instructions, please refer to SageGlass document SCS-028.

GET IN TOUCH

SageGlass® is the pioneer of the world's smartest dynamic glass and is transforming the indoor experience for people by connecting the built and natural environments. Electronically tintable SageGlass tints or clears on demand to control sunlight and prevent heat and glare without the need for blinds or shades. SageGlass dramatically reduces energy demand and the need for HVAC by blocking up to 95 percent of solar heat. As part of Saint-Gobain, SageGlass is backed by more than 350 years of building science expertise that only the world leader in sustainable environments can provide.