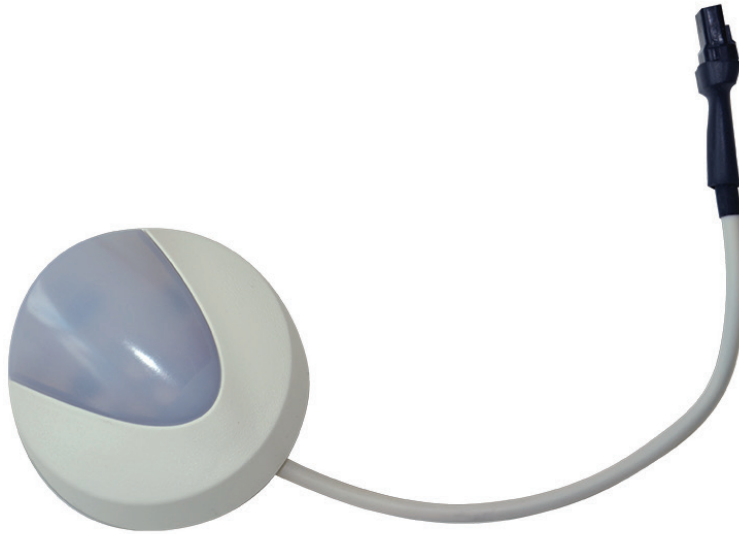


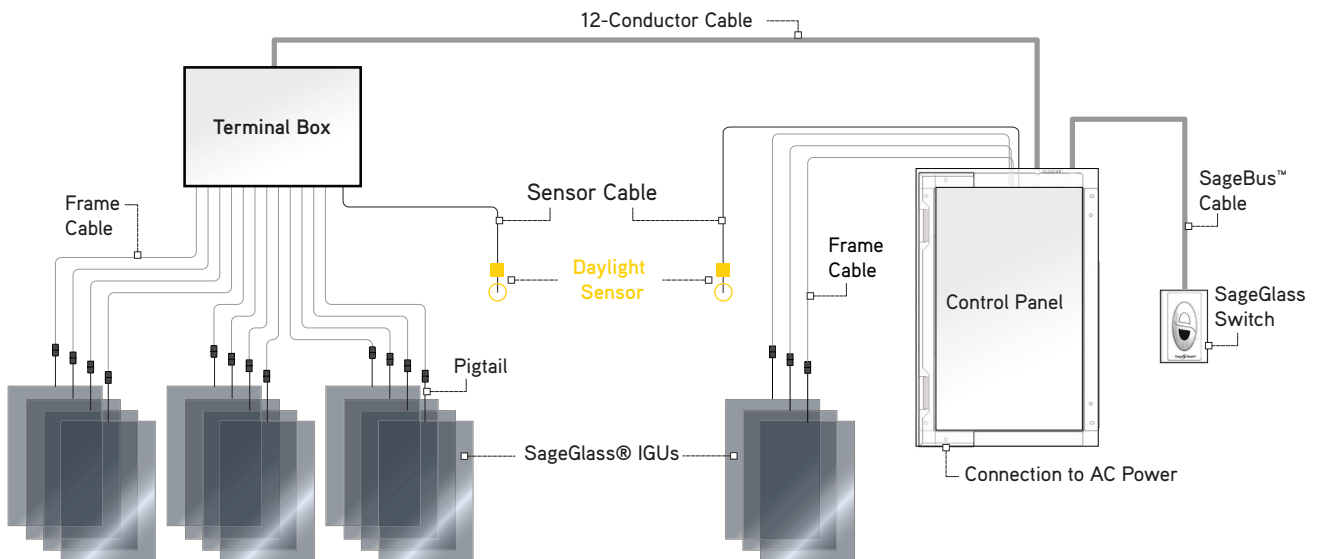
CUT SHEET:

INTERIOR DAYLIGHT SENSOR



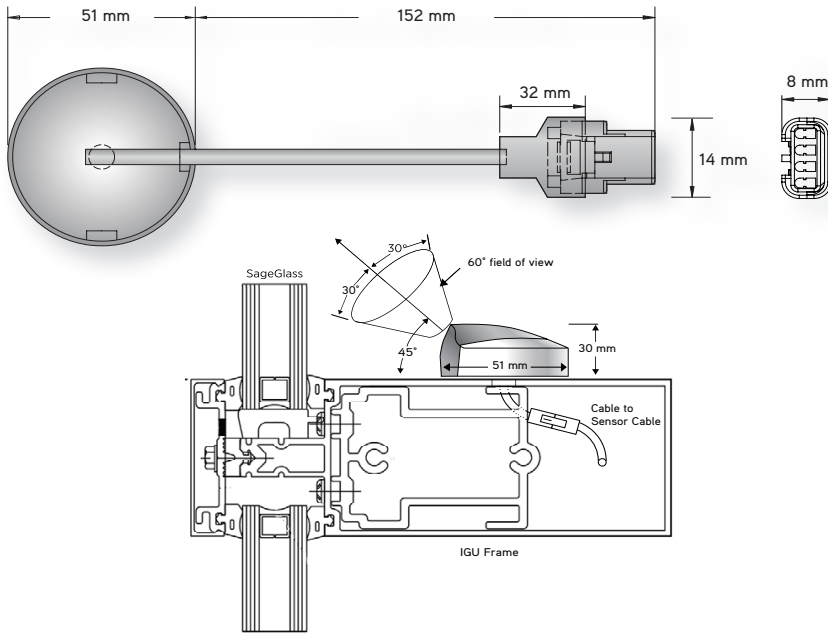
PRODUCT OVERVIEW

The SageGlass® Interior Daylight Sensor is used to provide ambient light feedback for SageGlass control systems when configured to operate automatically. In response to the Interior Daylight Sensor, the control system will adjust the tinting level of the glazing to maintain a predetermined level of light within the space.



The Interior Daylight Sensor allows the SageGlass IGUs to tint automatically based upon predetermined light levels within the space.

PRODUCT DIMENSIONS



SAGE PART NUMBER	DESCRIPTION
300-1053-001	Interior Sensor

GET IN TOUCH

SageGlass® is the pioneer of the world's smartest dynamic glass and is transforming the indoor experience for people by connecting the built and natural environments. Electronically tintable SageGlass tints or clears on demand to control sunlight and prevent heat and glare without the need for blinds or shades. SageGlass dramatically reduces energy demand and the need for HVAC by blocking up to 91 percent of solar heat. As part of Saint-Gobain, SageGlass is backed by more than 350 years of building science expertise that only the world leader in sustainable environments can provide.

sales.emea@sageglass.com
www.sageglass.com



RATINGS & CERTIFICATIONS

UL
 IP20
 CE

ORDERING INFORMATION

SAGE PART NUMBER

300-1053-001

Vetrotech Saint-Gobain International
 Bernstrasse 43 • 3175 Flammatt • Switzerland

© SAGE Electrochromics, Inc. All rights reserved. SageGlass is a registered trademark of SAGE Electrochromics, Inc. SCS-085.0

