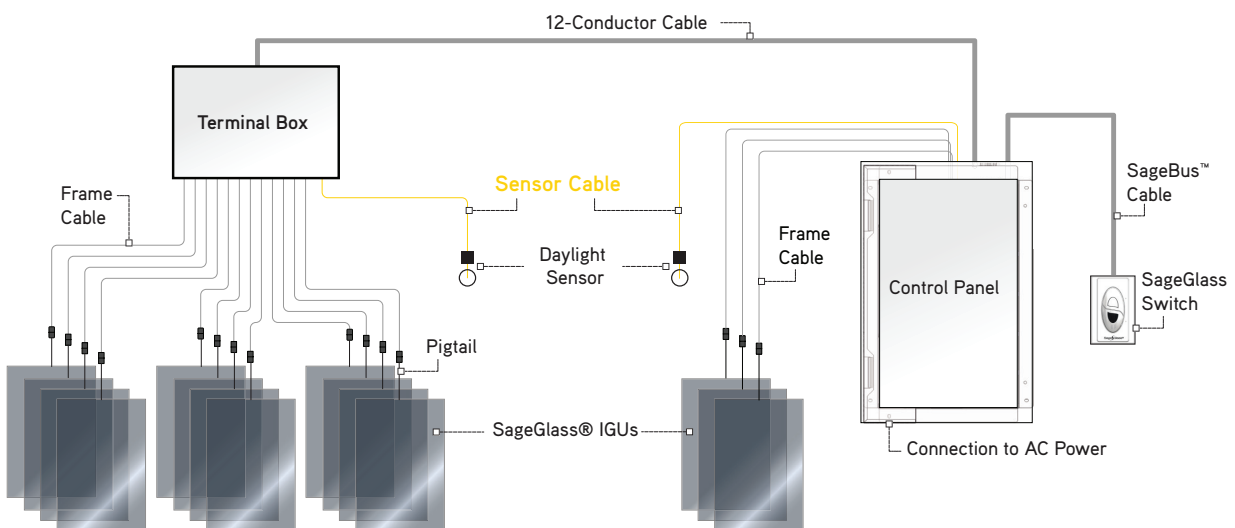


CUT SHEET:
SENSOR CABLE



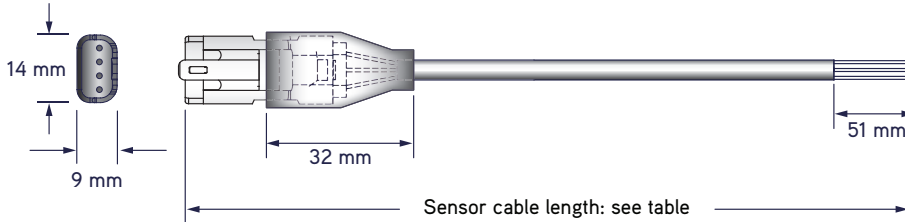
PRODUCT OVERVIEW

The Sensor Cable provides an electrical connection from the Interior or Exterior Daylight Sensors to either the Control Panel or to a Terminal Box. It can be ordered in a variety of lengths to meet specific installation requirements. The plenum rated, PVC-insulated Sensor Cable wires are 22 gauge.



The Sensor Cable runs through the framing system, connecting the Interior or Exterior Sensor to the Terminal Box. Alternatively, the Sensor Cable can run from the sensors directly to the Control Panel.

PRODUCT DIMENSIONS



SAGE PART NUMBER	CABLE LENGTH	NOMINAL DIAMETER
670-1012-002	15 m	3 mm
670-1012-010	23 m	
670-1012-011	38 m	
670-1012-008	75 m	

INSTALLATION REQUIREMENTS

To protect the cable from damage while routing it through the framing system, SAGE-provided grommets should be used. Sensor Cables should be conditioned for 24 hours at room temperature prior to installation. The cables should never be installed below 0° C ambient temperature. Once installed, the cables must not be exposed to sunlight, even through glass. If they are installed in an exposed location, they must be covered or painted (latex/water-based paint only). Non-adherence to these guidelines will void the warranty.

GET IN TOUCH

SageGlass® is the pioneer of the world's smartest dynamic glass and is transforming the indoor experience for people by connecting the built and natural environments. Electronically tintable SageGlass tints or clears on demand to control sunlight and prevent heat and glare without the need for blinds or shades. SageGlass dramatically reduces energy demand and the need for HVAC by blocking up to 91 percent of solar heat. As part of Saint-Gobain, SageGlass is backed by more than 350 years of building science expertise that only the world leader in sustainable environments can provide.

sales.emea@sageglass.com
www.sageglass.com



RATINGS & CERTIFICATIONS

The SageGlass Sensor Cable is:
 Plenum rated
 Splash proof
 Temperature rated -20°C to 60°C
 CL2P certified
 RoHS certified



ORDERING INFORMATION

SAGE PART NUMBER
670-1012-002
670-1012-010
670-1012-011
670-1012-008

Vetrotech Saint-Gobain International
 Bernstrasse 43 • 3175 Flamatt • Switzerland

© SAGE Electrochromics, Inc. All rights reserved. SageGlass is a registered trademark of SAGE Electrochromics, Inc. SCS-082.0

