



VARIO

 | DESIGN WITHOUT LIMITS

Elegant, comfortable and energy-efficient all-glass façades without visible frames

PERFORMANCE CERTIFICATIONS

SageGlass VARIO meets or exceeds most European requirements for quality, safety and performance.



European Technical Approval (ETA 10-0362)

The SageGlass VARIO system fulfills the ETAG 002 requirements for SSGK Type II systems and is approved for use in most EU countries. Please consult national authorities on local safety standards prior to use.



IFT Rosenheim Certificate of Constancy of Performance

This certificate attests that all provisions concerning the assessment and verification of constancy of performance set out in the ETA are applied. Stringent quality control measures and periodic third-party production surveillance are required to ensure a high level of product performance and reliability.



VARIO

 | DESIGN WITHOUT LIMITS

Elegant, comfortable and energy-efficient all-glass façades without visible frames

SageGlass® is the pioneer of the world's smartest dynamic glass and is transforming the indoor experience for people by connecting the built and natural environments. Electronically tintable SageGlass tints or clears on demand to control sunlight and prevent heat and glare without the need for blinds or shades. SageGlass dramatically reduces energy demand and the need for HVAC by blocking up to 91 percent of solar heat. As part of Saint-Gobain, SageGlass is backed by more than 350 years of building science expertise that only the world leader in sustainable environments can provide.

europa@sageglass.com
sageglass.com



SageGlass Europe & Middle East -
Vetrotech Saint-Gobain International
Bernstrasse 43
3175 Flamatt, Switzerland

© SAGE Electrochromics, Inc.
All rights reserved.

SageGlass is a registered trademark of SAGE Electrochromics, Inc.

All photography of Bellavista Eye Clinic in Speicher, Switzerland © Adrien Barakat, 2016, except where noted.

MKT-093



HIGH-PERFORMANCE
ALL GLASS
FACADES



SageGlass®

VARIO

EXPERIENCE DESIGN WITHOUT LIMITS

SageGlass electronically tintable glass dynamically controls sunlight to optimize daylight, maintain outdoor views and enhance occupant comfort by preventing heat gain and glare. It can be managed by an intelligent control system or manually through a wall switch or mobile device, adapting to external conditions or to user-specific requirements to ensure thermal and visual comfort and improved energy efficiency.

The SageGlass VARIO system enables architects to create high-performance all glass façades without the use of traditional shading systems and visible exterior frames, for visually stunning building designs.



La Lignière Clinic - Gland, Switzerland
Photo © Adrien Barakat, 2017



Bellavista Eye Clinic - Speicher, Switzerland
Photo © Adrien Barakat, 2016

CUSTOMIZATION OPTIONS

SageGlass VARIO is available in double (Climaplus) or triple (Climatop) glazed units based on energy performance needs. It comes in a wide variety of shapes — including trapezoid, parallelogram and triangle — and in sizes ranging from 25,4 cm up to 1,5 m x 3 m. Choose from a variety of colors such as clear, blue, green and gray, and other design options.

LIGHTZONE™ For maximum comfort, glare control and daylight, SageGlass VARIO can be equipped with exclusive LightZone™ technology, which allows up to 3 distinct tint zones on the same pane of glass.

INSTALLATION CHARACTERISTICS

A smart alternative to double skin façades, SageGlass VARIO allows developers to save space while reducing installation and associated material costs.

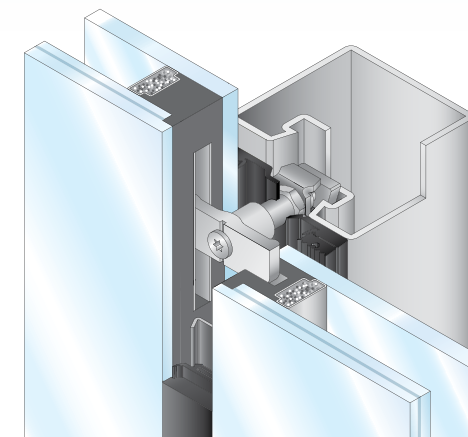
SageGlass VARIO is compatible with European industry-standard framing elements.



Photo © Krapf AG, 2016



Photo © Krapf AG, 2016



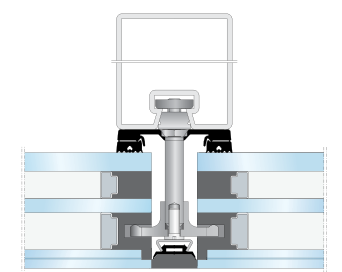
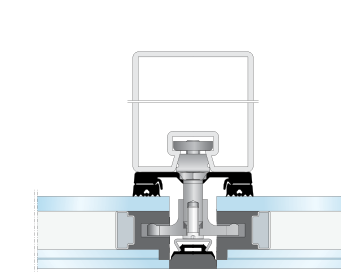
IGU FASTENING

SageGlass VARIO insulating glass units (IGUs) are mechanically affixed to the interior façade construction by means of interior anchors. As with conventional structural silicone glazing (SSG), the outer seal is achieved by means of a flush-faced permanent weather seal, eliminating the need for visible glass restraints or cover plates. The seal's flush-faced system is also available for skylight and sloped-glazing area applications.

FRAME INTEGRATION

Climaplus

Climatop



RELIABLE AND SAFE INSTALLATION

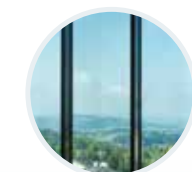
SageGlass VARIO continues the tradition of quality and safety that the industry has come to expect from Saint-Gobain. U-profiles are positioned in the glass edge seal in which the retaining anchors are inserted to connect the glass back to the interior frame structure, providing a safe and secure installation.

TECHNICAL PROPERTIES

TINT	LIGHT TRANSMISSION	G-VALUE	U _g VALUE W/m ² K	SOUND REDUCTION (dB)
None	60%	0.40	1.1	31 (-3;-6)
Light	17%	0.12	1.1	31 (-3;-6)
Strong	5%	0.07	1.1	31 (-3;-6)
Dark	1%	0.05	1.1	31 (-3;-6)

The values above are for a double glazing unit (DGU), Climaplus Classic, standard composition.

SageGlass VARIO is also available for triple glazing units (TGU): Climatop Classic (U_g Value of 0.6 W/m²K).



Mid Tint



Full Tint



DESIGN POSSIBILITIES

SageGlass VARIO gives architects the freedom to reimagine what's possible and design entire façades out of glass, without the limitations of blinds or shades. Since there are no intermediary framing elements, the façades are completely smooth, adding harmony to the overall building aesthetic.



OCCUPANT COMFORT

By reducing glare and heat while letting in natural light, SageGlass VARIO creates better thermal, visual and acoustical comfort to enhance occupant health and well-being. SageGlass VARIO blocks 100% of UV rays at all tint levels and helps prevent interior fading.



OUTDOOR CONNECTION

SageGlass VARIO preserves views and keeps people connected to the outdoors, without the need for blinds or shades. Occupants can experience the beauty of the outdoors and enjoy windows the way they are meant to be enjoyed.



ENERGY SAVINGS

By adapting to external light conditions and maintaining a desired indoor temperature, SageGlass VARIO reduces the need for artificial lighting, heating and air conditioning. The result is up to 40% energy savings and an energy performance similar to a double skin façade. SageGlass VARIO can help earn green labels such as LEED and BREEAM certifications.