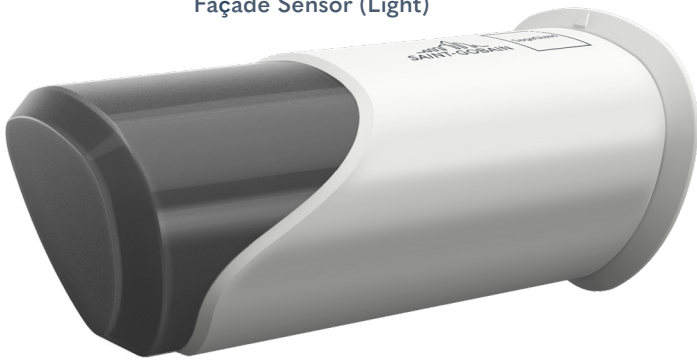


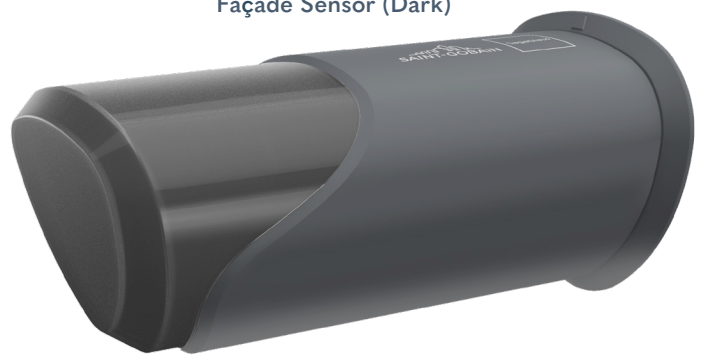
Product Sheet: Façade Sensor

The Façade Sensor provides ambient light and irradiance feedback to SageGlass Maestro™. The Façade Sensor contains several internal sensors to allow 180-degree horizontal view in order to detect localized glare and shading.

Façade Sensor (Light)



Façade Sensor (Dark)



Product Dimensions

Color	Part Number	Dimensions		
		Width	Length	Height
Light	300-1180-001	5.1 cm	9.9 cm	4.8 cm
Dark	300-1180-002	5.1 cm	9.9 cm	4.8 cm

Interface	Description	Specifications
PoE Ethernet	Communication and Power	10/100M

Peak Power	Input		PoE Standard
	Voltage	Current	
1.1 W	44 - 57 V DC	25 mA	IEEE 802.3af Type 1

Data Range

- Illuminance: 1K Lux to 100K Lux
- Irradiance: 8 W/m² to 800 W/m²

Product Ratings



Package Includes

1. Façade Sensor
2. Façade Sensor Mounting Flange
3. 2 mm Allen wrench

Tools and Materials required

1. 2.5 mm drill bit
2. 19 mm hole saw or speed bore
3. #1 Phillips screwdriver (or drill with #1 Phillips bit)

System Requirements

The Façade Sensor communicates to the Symphony control system via Ethernet and receives power via Power over Ethernet (PoE).

1. For commercial applications use Ethernet cables, category CAT5e or above.
2. For residential applications use shielded Ethernet cables, category CAT5e or above.

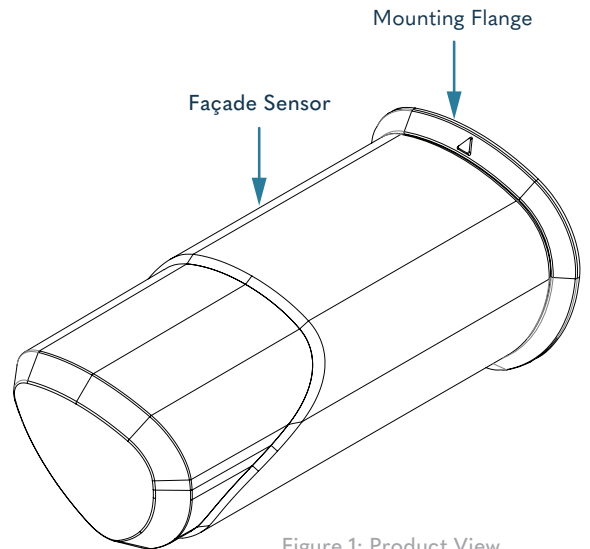


Figure 1: Product View

Installation

Step 1: Installing the Mounting Flange

1. When selecting a location to install the Façade Sensor, ensure the Façade Sensor will not be obstructed to the sky or the horizon.
2. Make sure installation area is free of dust and flat to ensure the mounting flange gasket can make a good seal.
3. Using the Mounting Flange to mark the holes.
 - a. Use 19 mm hole saw to create cable routing hole.
 - b. For mounting screws:
 - i. If façade is wood, screw locations can just be marked and screws driven directly into façade.
 - ii. If façade is metal, drill pilot holes using 2.5 mm drill bit.
4. Using the Philips screw driver or drill, tighten three screws on the mounting flange.

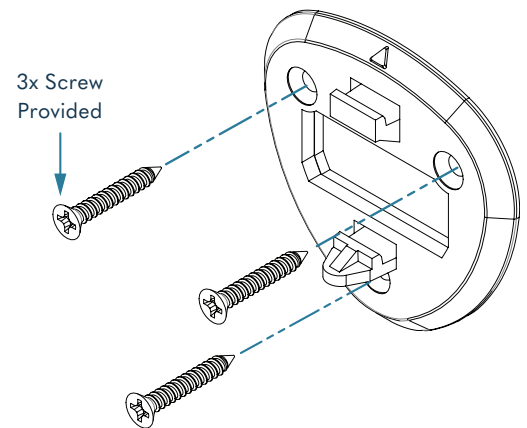


Figure 2: Mounting Flange Installation

Step 2: Run Cables

Feed the Ethernet cable through the mounting flange opening into the building space. Leave about 5 cm of cable outside the mounting flange front face for connection to the Façade Sensor.

Step 3: Connect Data and Power Cables

Connect Ethernet cable to Façade Sensor.

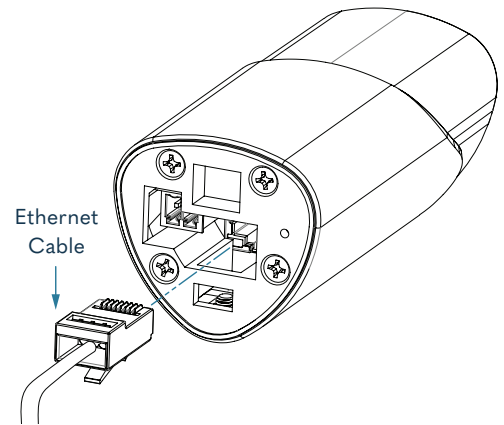


Figure 3: Cable Connection

Step 4: Mount the Façade Sensor

1. Using the 2 mm Allen wrench provided, loosen the set screw on the Façade Sensor.
2. Tuck cable behind mounting flange while sliding Façade Sensor onto mounting flange hooks, then slide down.
3. Tighten Façade Sensor body set screw. Do not overtighten, set screw just needs to touch mounting flange hook to secure the Façade Sensor.

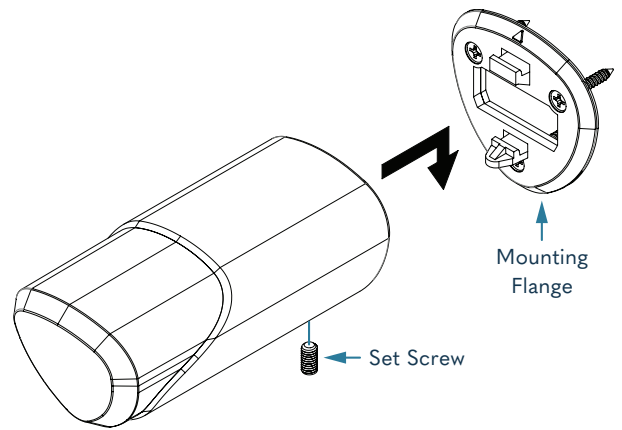


Figure 4: Façade Sensor Mounting