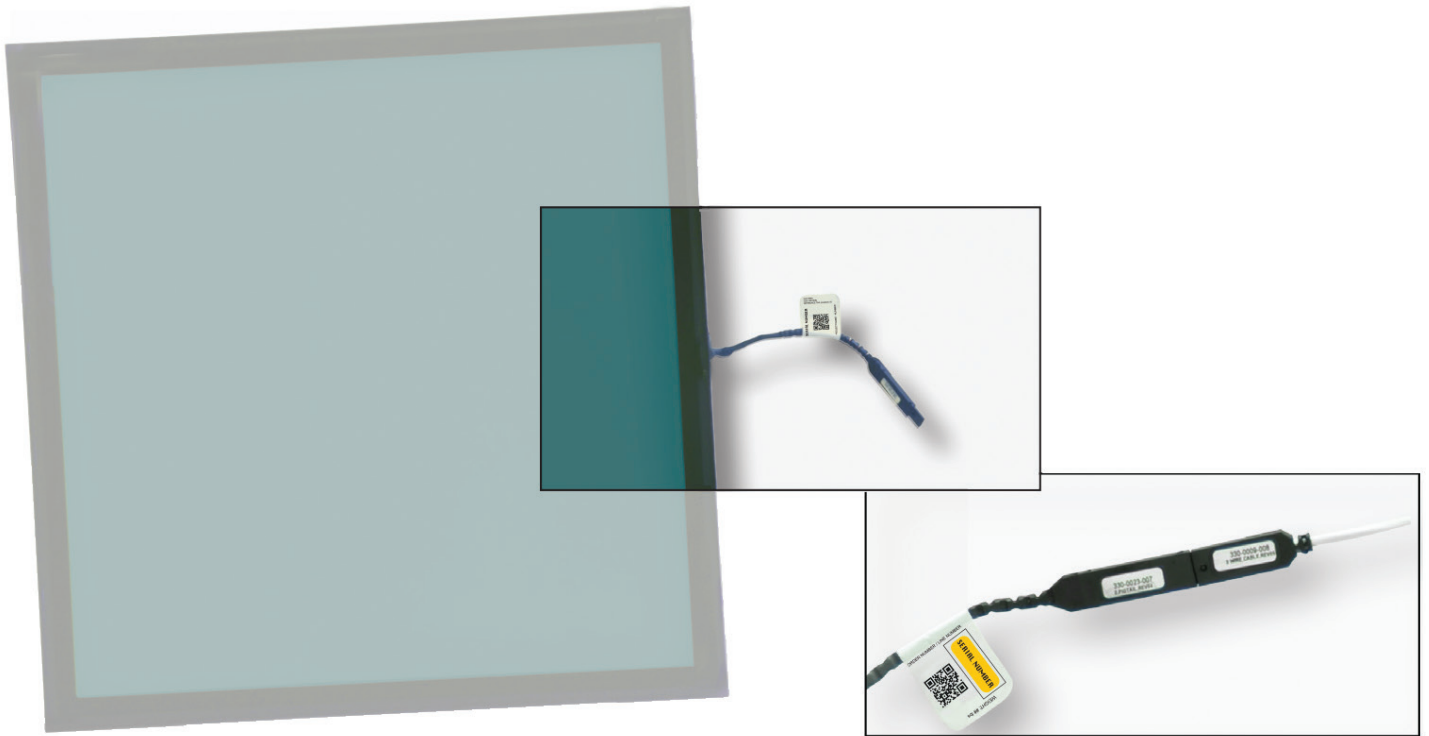


Product Sheet: IGU Pigtail

The SageGlass® IGU Pigtail is a cable that extends from one edge of each SageGlass insulating glass unit (IGU) and connects to the Frame Cable, providing the electrical connection to the individual SageGlass IGU. It also stores an electronic serial number and IGU-specific data that is used for system startup, commissioning and troubleshooting. Each IGU will have one pigtail. For pigtail locations, see our IGU Product Sheet.



Product Ratings



Pigtail Labels

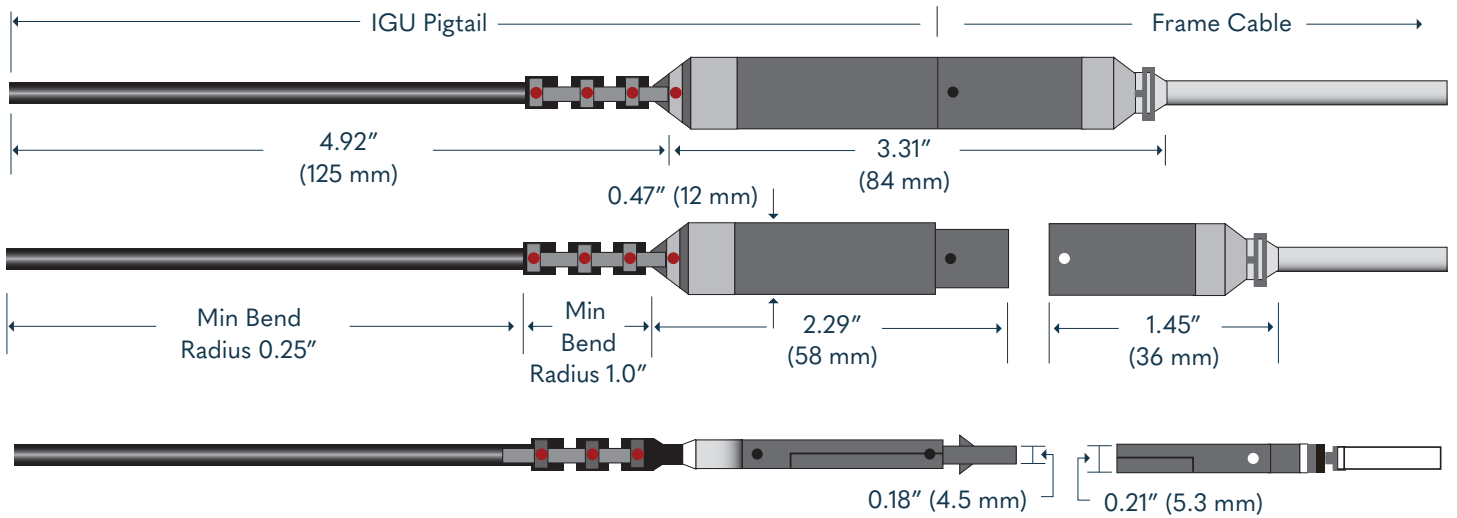


FRONT



BACK

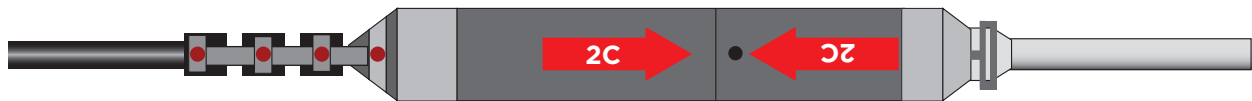
Product Dimensions



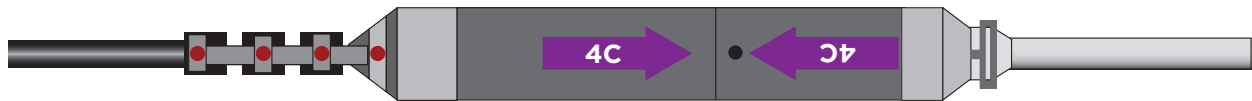
Conductor Count

Used per the wiring elevation diagram.

2 CONDUCTOR



4 CONDUCTOR



IGU Pigtail

Frame Cable