

# Product Sheet: Wall Touch Panel

The Wall Touch Panel allows users to manually adjust the tint level of the SageGlass® dynamic glazing system.



## Product Dimensions

Part Number	Dimensions			
	Width	Height	Depth from Wall	Total Depth
Standard Kit: 300-1182-001	3.4"	5.0"	0.5"	1.3"
Surface Mount Kit: 300-1184-001	4.0"	6.1"	2.3"	2.3"

Interface	Description	Specifications
PoE Ethernet	Communication and Power	10/100M

Peak Power	Input		PoE Standard
	Voltage	Current	
2.4 W	44 - 57 V DC	50 mA	IEEE 802.3af Type 1

## Product Ratings



### Package Includes

1. Wall Touch Panel
2. Mounting Bracket

### Tools and Materials required

1. Drywall saw
2. #1 Phillips screwdriver (or drill with #1 Phillips bit)
3. Framing stud finder

### System Requirements

The Wall Touch Panel communicates to the Symphony system via Ethernet and receives power via Power over Ethernet (PoE).

1. For commercial applications, use Ethernet cables, category CAT5e or above.
2. For residential applications, use shielded Ethernet cables, category CAT5e or above.

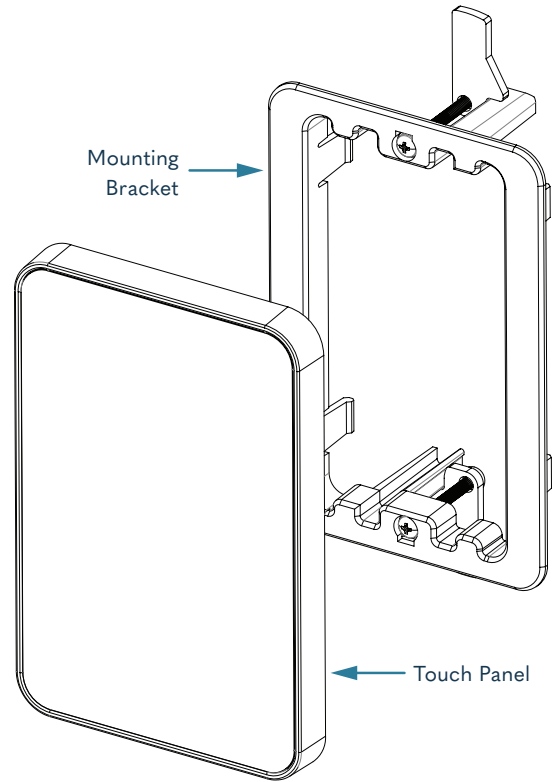


Figure 1: Product View

## Installation

### Step 1: Installing the Mounting Bracket

1. Select a location on the wall to install the Wall Touch Panel. Using a stud finder, ensure there is no framing behind the drywall in the chosen location.
2. Using provided template, draw and cut 4.5" X 2.5" rectangular opening in drywall for Mounting Bracket.
3. Attach clamp pad plates to the Mounting Bracket (if not already attached) and set clamping distance to be slightly larger than drywall thickness.
4. Turn clamp pads inwards and locate them inside Mounting Bracket profile.
5. Slide Mounting Bracket into the opening and using the #1 Philips screwdriver or drill, tighten screws to clamp the bracket to the drywall.

### Step 2: Run Cables

1. Feed the Ethernet cable down the Mounting Bracket opening into the wall. Leave about two inches from Mounting Bracket front face to cable end for easy connection.

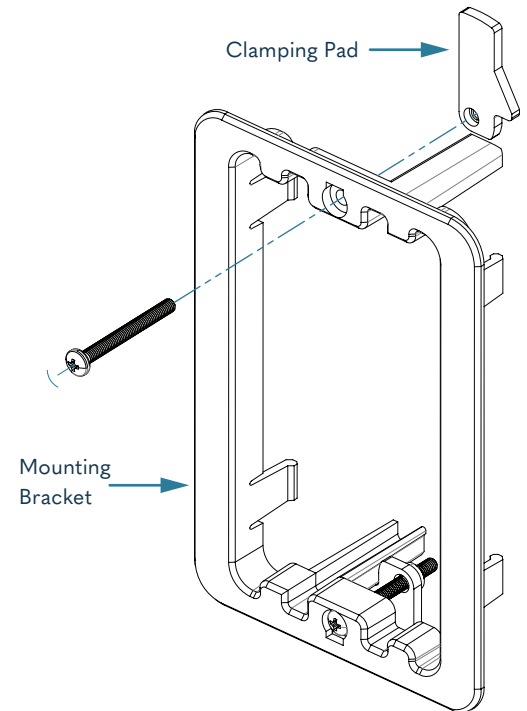


Figure 2: Mounting Bracket Instructions

### Step 3: Connect Data and Power Cables

1. Connect Ethernet cable to Wall Touch Panel.

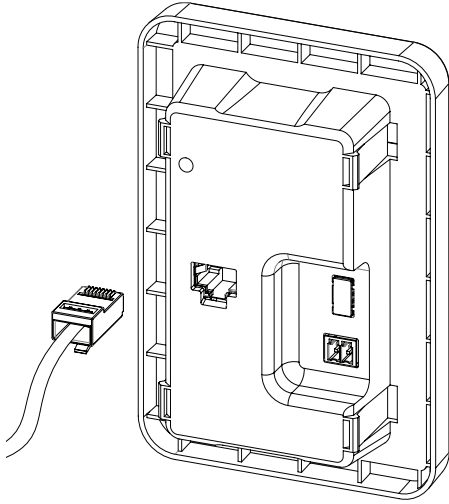


Figure 3: Cable Connection

### Step 4: Mount the Wall Touch Panel

1. Snap Wall Touch Panel into Mounting Bracket opening.

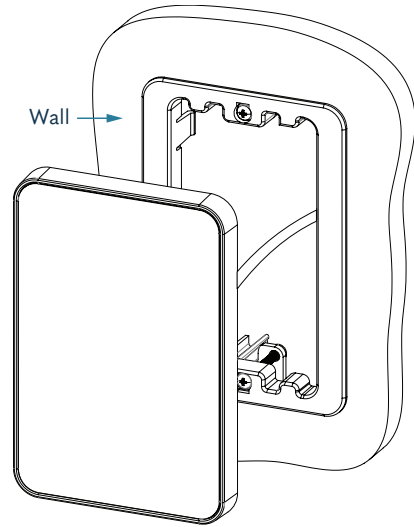


Figure 4: Wall Touch Panel Mounting

### Step 5: Final Preparation

1. Remove the protective clear film from the Wall Touch Panel Screen.

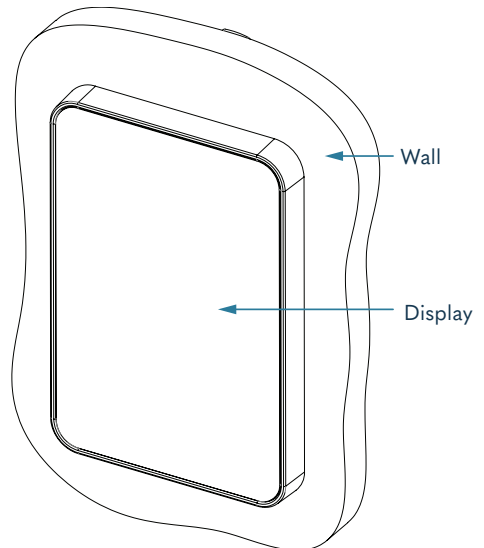


Figure 5: Final Preparation