

# PRODUCT SHEET

## ROOFTOP SKY SENSOR

The Rooftop Sky Sensor provides ambient light and irradiance feedback to SageGlass Maestro™. The Rooftop Sky Sensor is composed of several sensors to provide 360-degree coverage assessing cloud cover, light and energy in order to optimize the automated tinting behavior of SageGlass Dynamic Glass.



### DIMENSIONS AND SPECIFICATIONS

Part Number	Dimensions		
	Width	Length	Height
300-1181-001	3.5"	3.2"	3.5"

Interface	Description	Specifications
PoE Ethernet	Communication and Power	10/100M

Peak Power	Input		PoE Standard
	Voltage	Current	
1.1 W	44 - 57 V DC	25 mA	IEEE 802.3af Type 1

### DATA RANGE

- Illuminance: 1K Lux to 100K Lux
- Irradiance: 8 W/m<sup>2</sup> to 800 W/m<sup>2</sup>

### PRODUCT RATINGS



# IP54

### PACKAGE INCLUDES

1. Rooftop Sky Sensor
2. Rooftop Sky Sensor Mounting Bracket
3. 2mm Allen wrench

### TOOLS AND MATERIALS REQUIRED

½" Intermediate Metal Conduit (IMC) for roof mast.

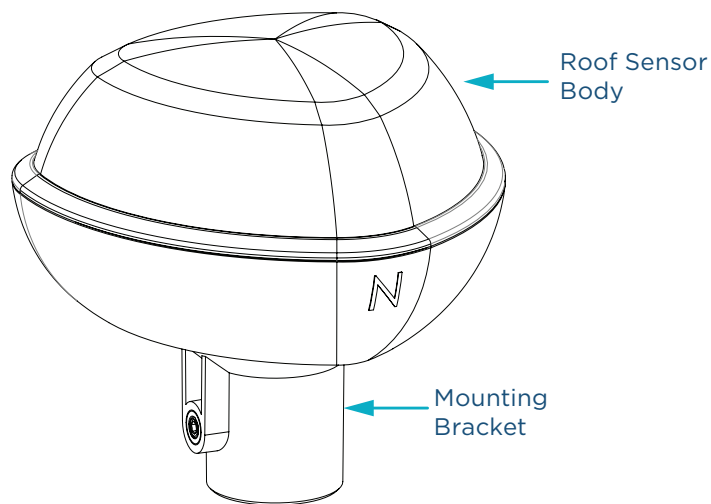


FIGURE 1: PRODUCT VIEW

### SYSTEM REQUIREMENTS

The Rooftop Sky Sensor communicates to the Symphony control system via Ethernet and receives power via Power over Ethernet (PoE).

1. For commercial applications use Ethernet cables, category CAT5e or above.
2. For residential applications use shielded Ethernet cables, category CAT5e or above.

## INSTALLATION

### STEP 1: INSTALL THE MAST

1. When selecting a location to install the mast, ensure the Rooftop Sky Sensor will not be obstructed to the sky or the horizon. Ensure it is mounted high enough that snow accumulation or falling debris such as leaves will not cover the Rooftop Sky Sensor once mounted on top of the mast.
2. Using ½" Intermediate Metal Conduit (IMC), cut mast to the appropriate length and mount to the top of the roof using standard industry procedures. Ensure the installation complies with local building ordinances.
3. Mount must be bonded to the building ground.
4. Deburr the top of the mast so that a cable can be routed through the mast and not cause damage to the Ethernet cable.

### STEP 2: RUN CABLES

1. Feed the Ethernet cable down the mast into the building space. Leave about two inches from mast top to cable end for easy connection.

### STEP 3: CONNECT DATA AND POWER CABLES

1. Using the 2mm Allen wrench provided, remove three screws (1) and remove Rooftop Sky Sensor Mounting Bracket to gain access to the Ethernet cable connector on the bottom of the Rooftop Sky Sensor.
2. Run Ethernet cable through the center opening of the Rooftop Sky Sensor Mounting Bracket.
3. Connect Ethernet cable to Rooftop Sky Sensor.
4. Close up the Rooftop Sky Sensor with Rooftop Sky Sensor Mounting Bracket and secure with three screws (1).

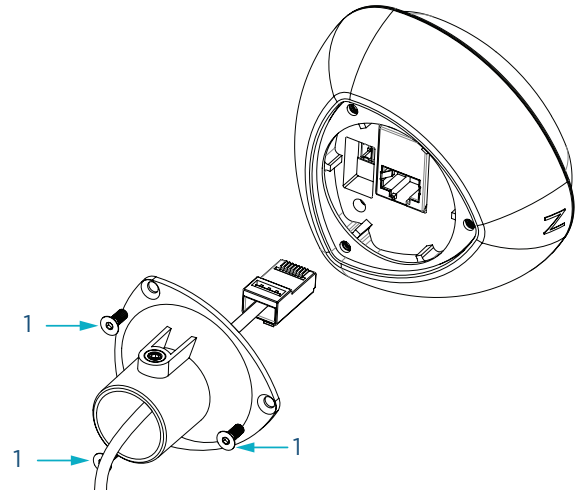


FIGURE 2: CABLE CONNECTION

### STEP 4: MOUNT THE ROOF SENSOR

1. Using the 2mm Allen wrench, loosen the set screw (2) on the Rooftop Sky Sensor Base, so it can be installed on the mast.
2. Install Rooftop Sky Sensor on the mast and orient so sign “N” (3) faces North.
3. Tighten set screw (2) to secure Rooftop Sky Sensor.

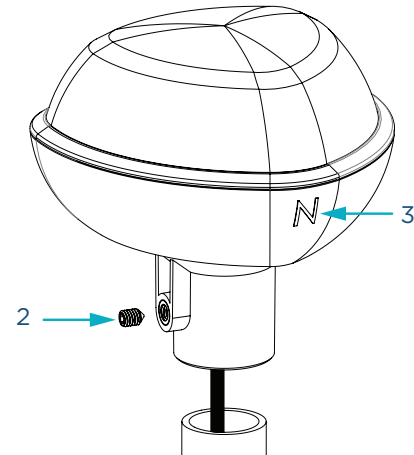


FIGURE 3: ROOF SENSOR MOUNTING

## WHY SAGEGLASS?

**1,000+**  
Installations

**27+**  
Countries

**560+**  
Patents

SageGlass® is the pioneer of the world's smartest dynamic glass. Electronically tintable SageGlass tints or clears automatically to optimize daylight levels while preventing heat and glare without the need for blinds or shades. SageGlass delivers superior comfort, enhances occupant well-being and saves energy. As part of Saint-Gobain, SageGlass is backed by more than 350 years of building science expertise that only the world leader in sustainable environments can provide.

For additional product and instructional information, visit: [sageglass.com/resources](https://sageglass.com/resources)