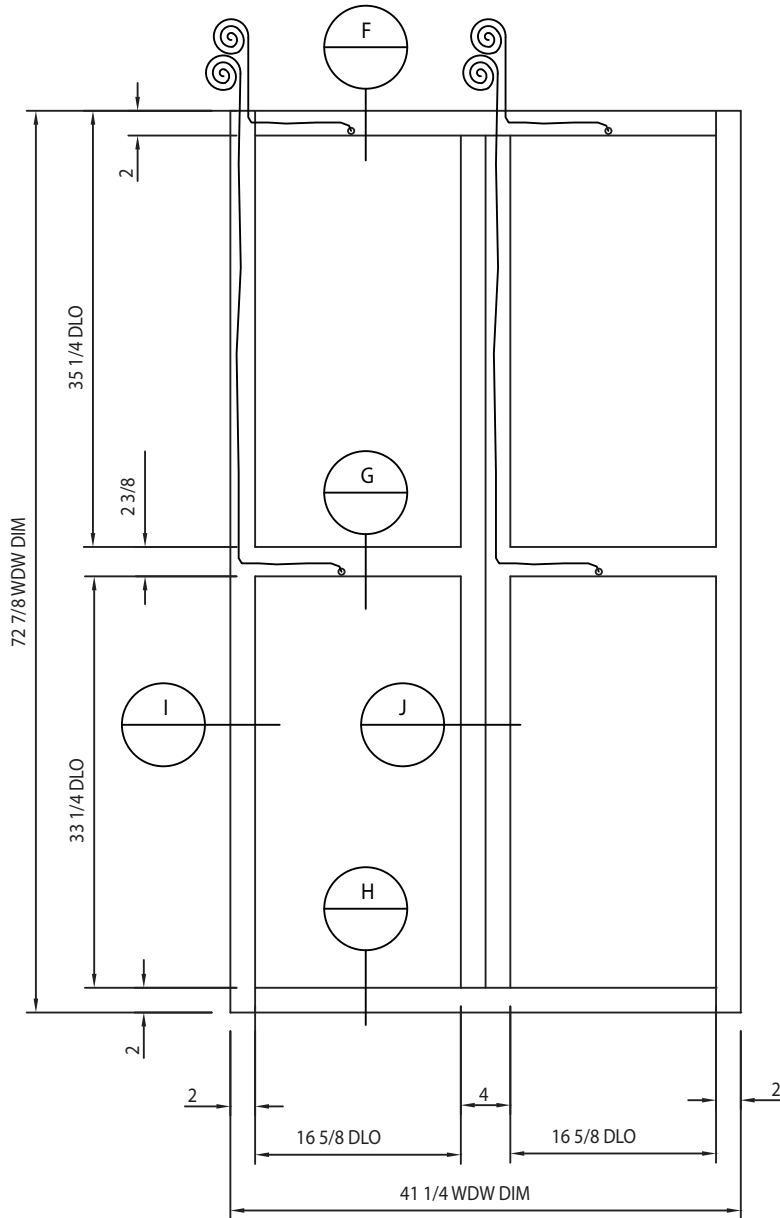
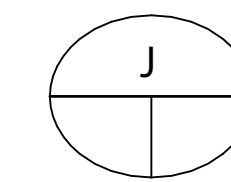
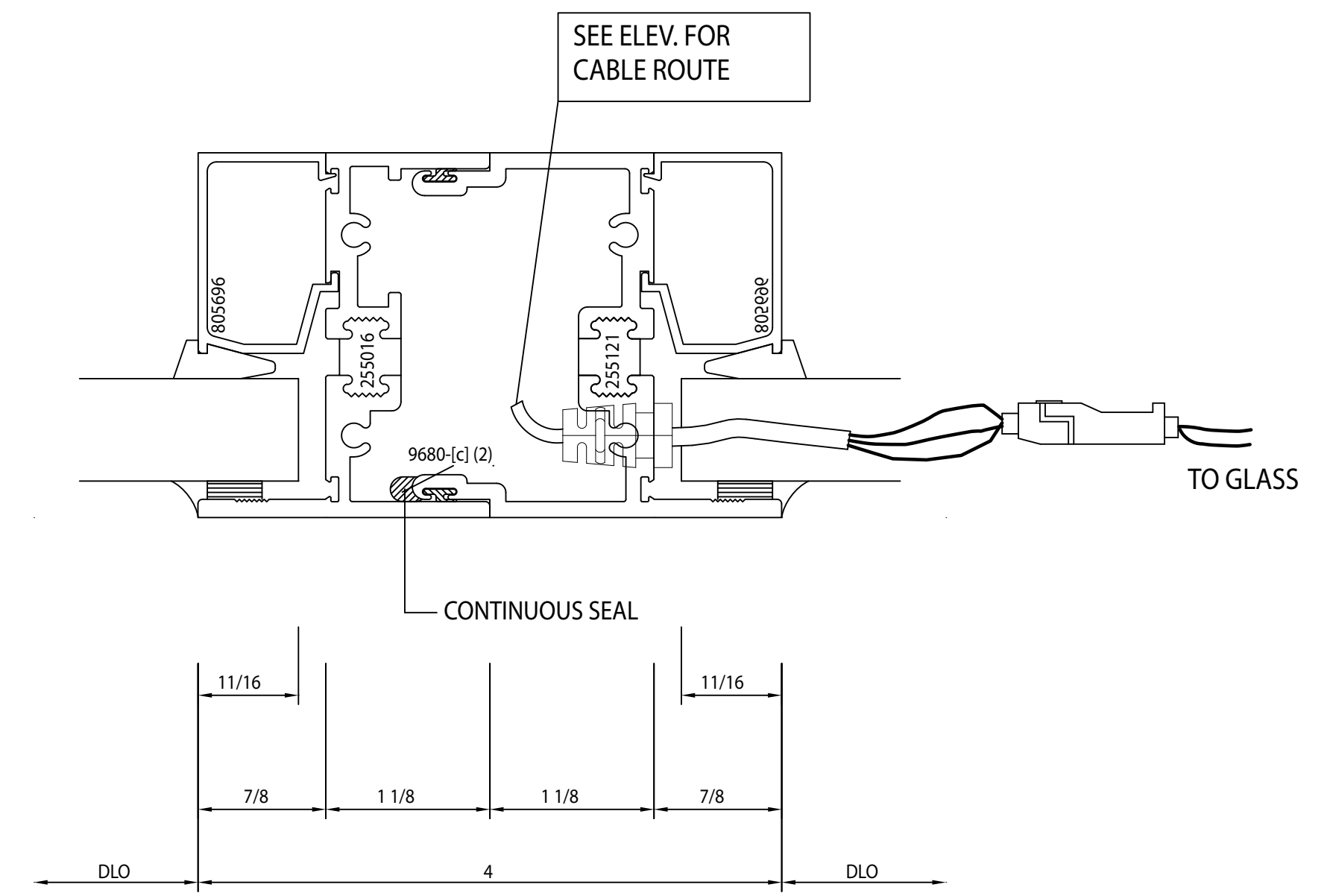
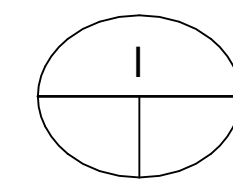
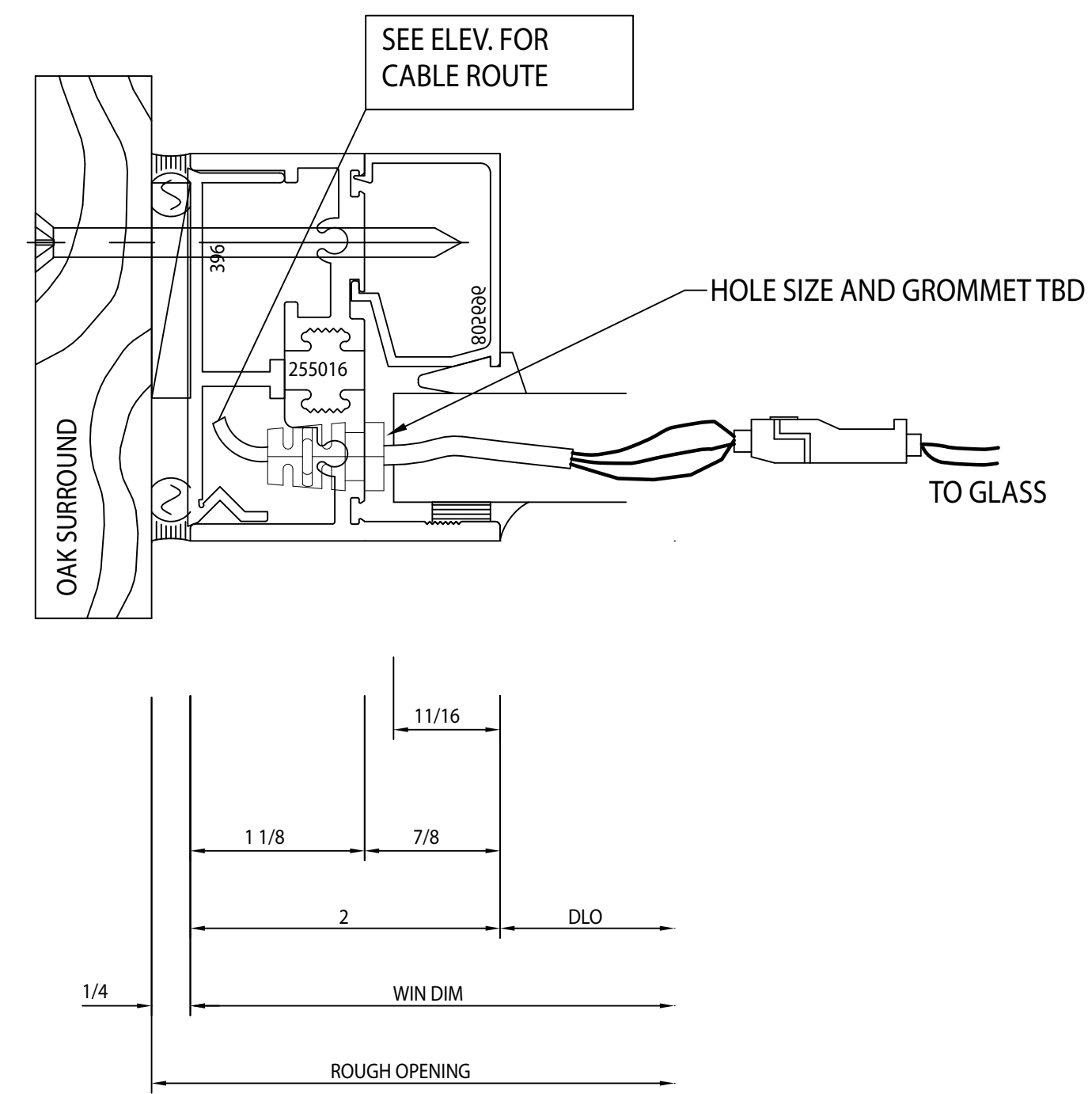
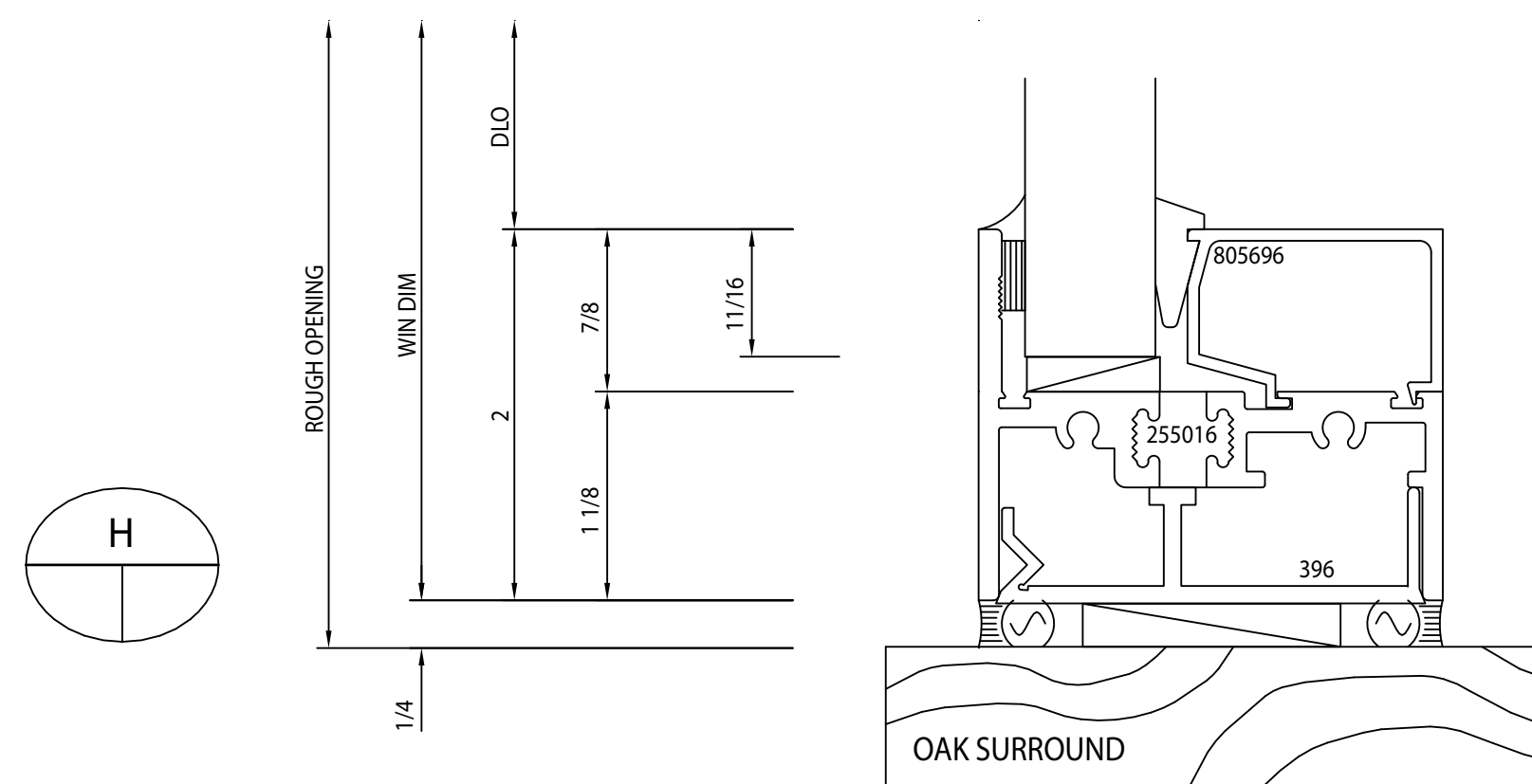
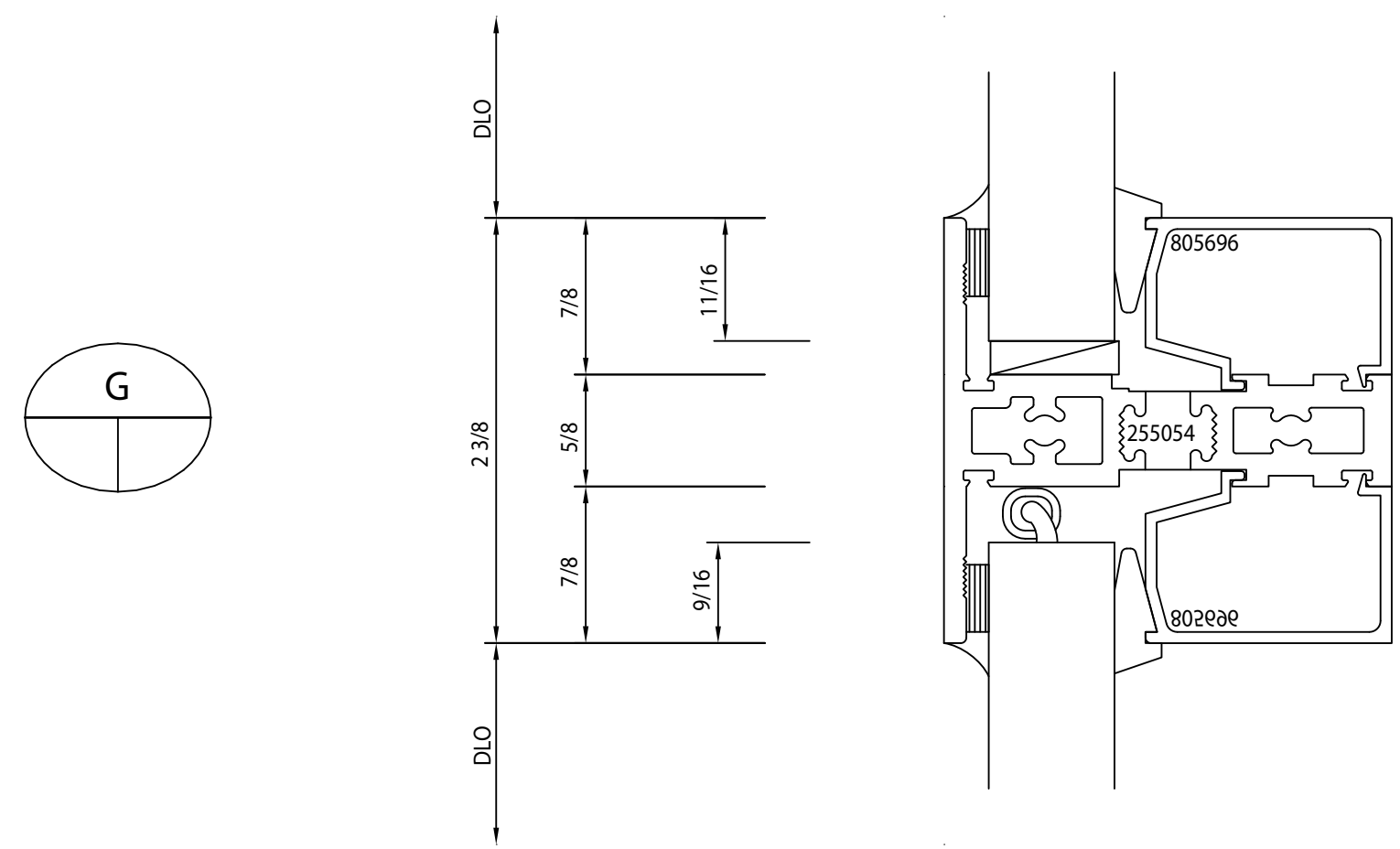
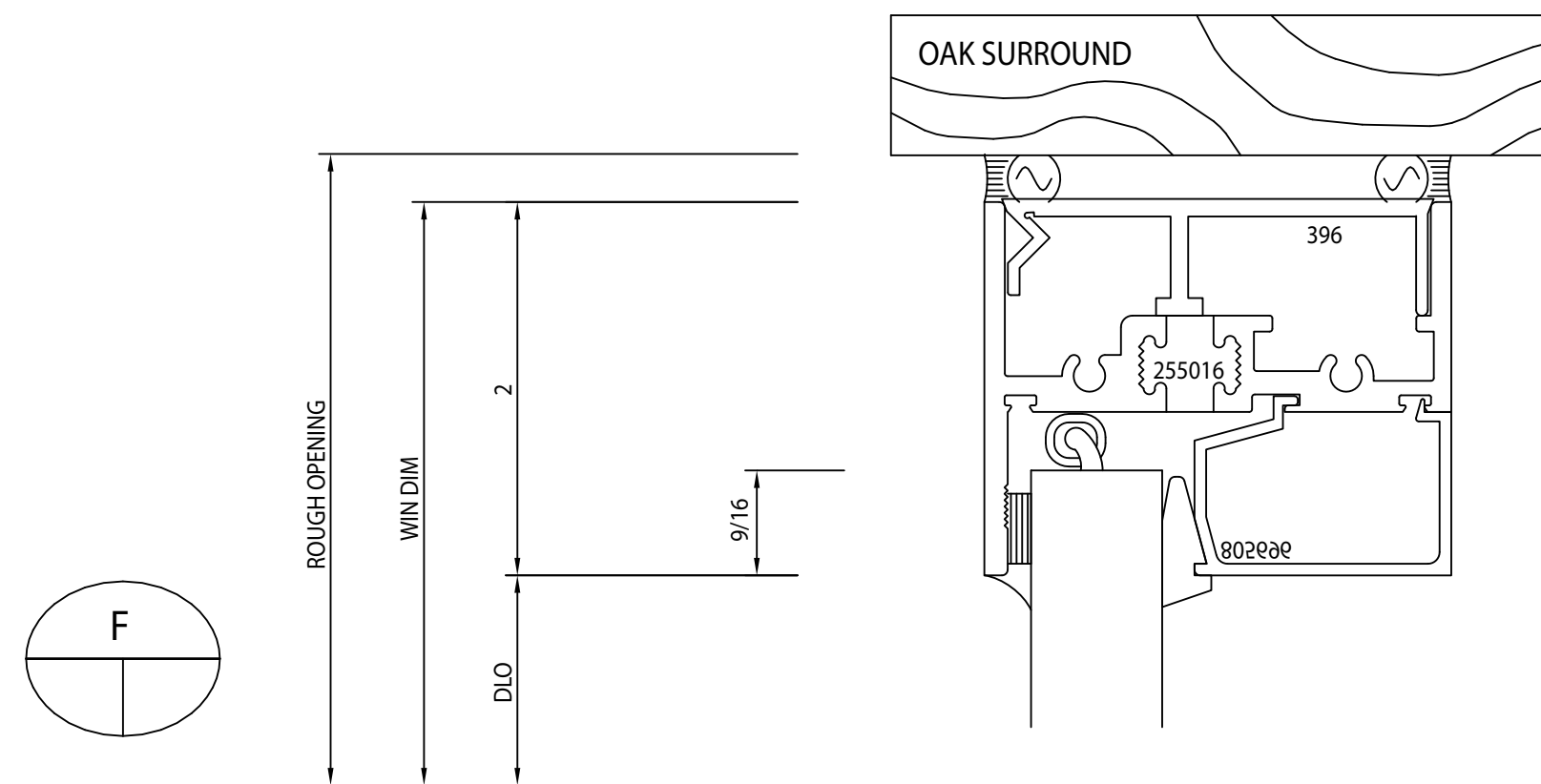


WAUSAU 2250 SYSTEM INTEGRATION DETAILS

3 QTY REQ'D: 1

2250 Series





JRAMUTA 1/14/05
Superwall Details

FULL

Sage Sample

EDIT