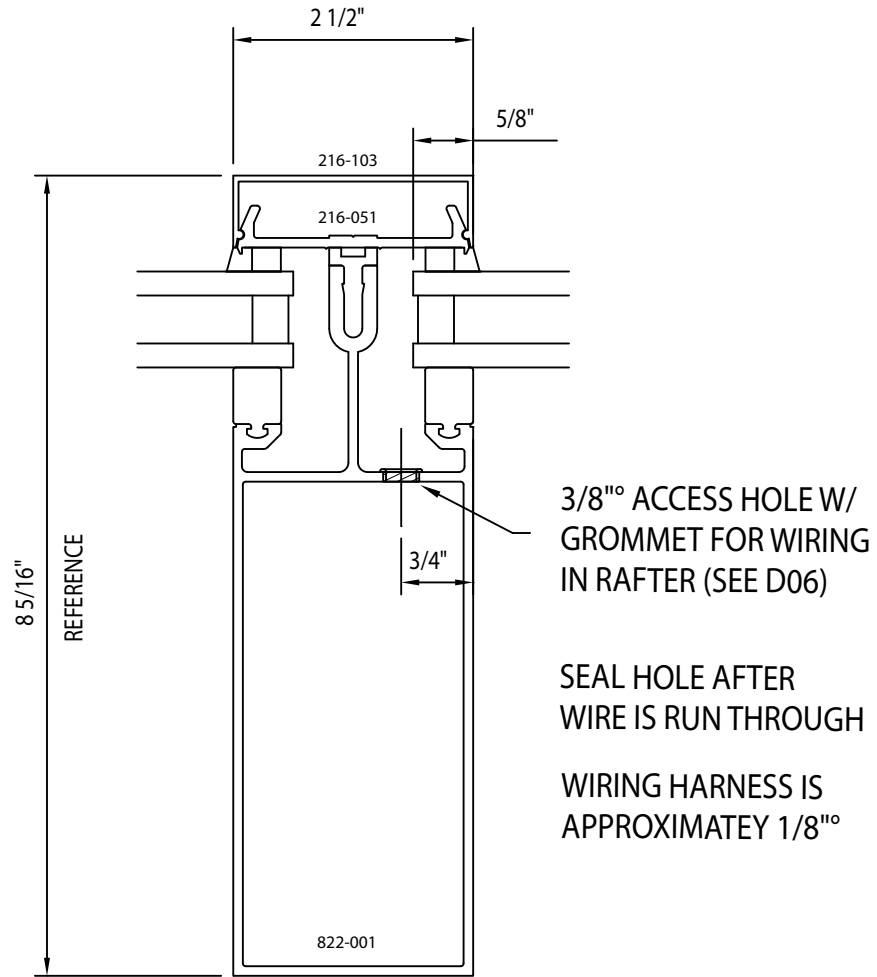


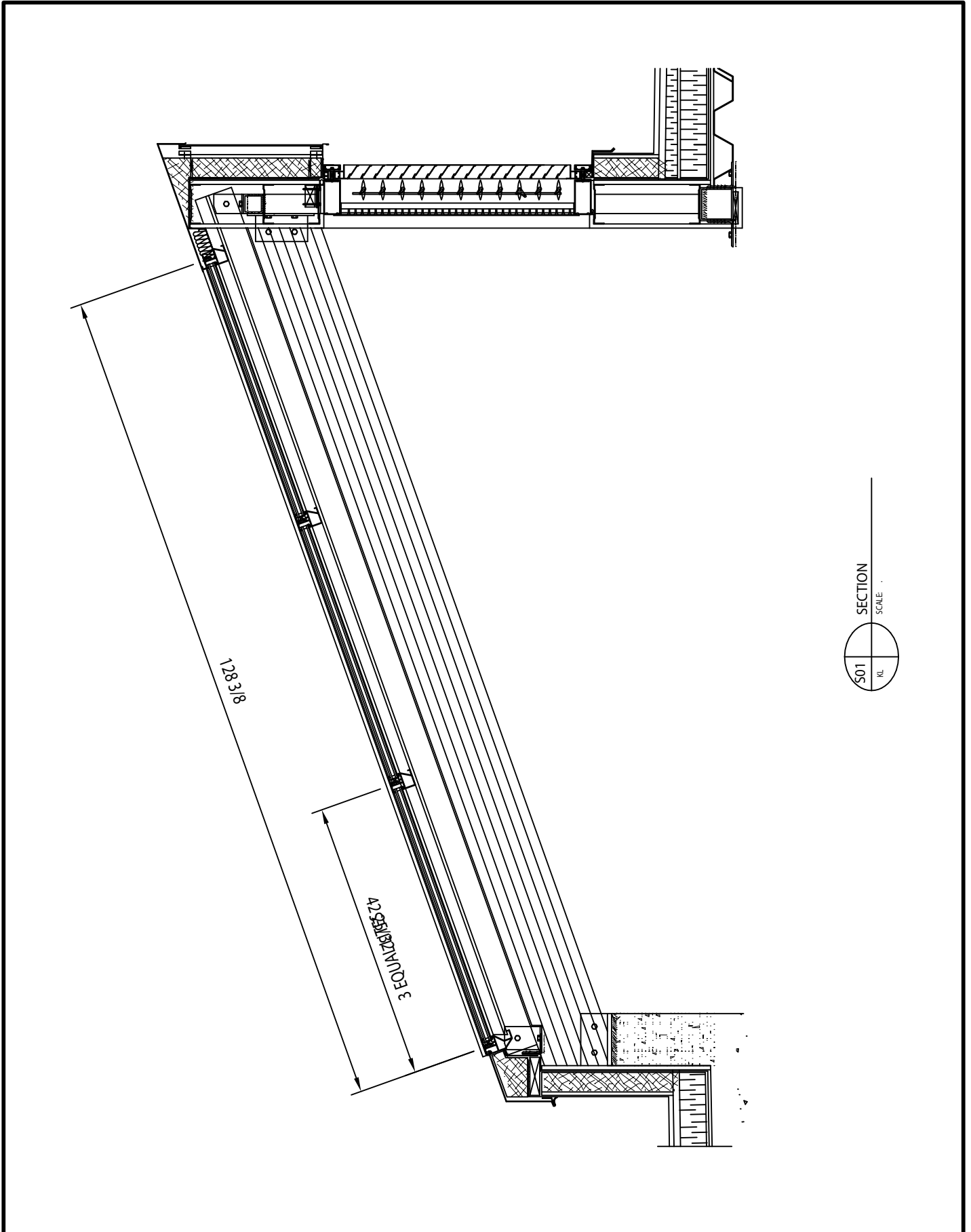
Kawneer 2000 Series Skylight

KL



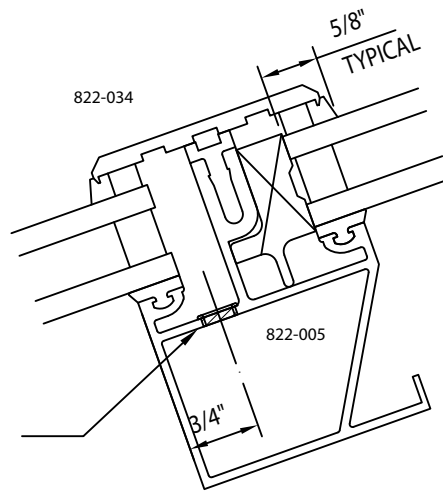
Kawneer 2000 Series Skylight

KL



Kawneer 2000 Series Skylight

KL



3/8" ACCESS HOLE W/
GROMMET FOR WIRING
IN RAFTER (SEE D06)

SEAL HOLE AFTER
WIRE IS RUN THROUGH

WIRING HARNESS IS
APPROXIMATELY 1/8"



Kawneer 2000 Series Skylight

KL

THROAT OF RAFTER

NOTE:

3/8" DIA. HOLE DRILLED AT THE TOP OF EACH LITE INTO THE TUBULAR PORTION OF RAFTER

GROMMETS ARE TO BE USED IN ALL HOLES PRIOR TO RUNNING WIRES

ALL HOLES ARE TO BE SEALED ONCE WIRES HAVE BEEN INSTALLED

ALL WIRES ARE RUN OUT THROUGH END OF RAFTER AND THEN LATERALLY IN INSULATED COPING AREA TO JUNCTION BOXES AS REQUIRED

EDGES OF GLASS



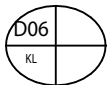
3/4"

3/4"



EDGES OF PURLIN

EDGES OF RAFTER

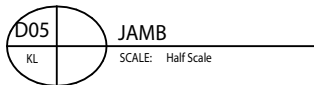
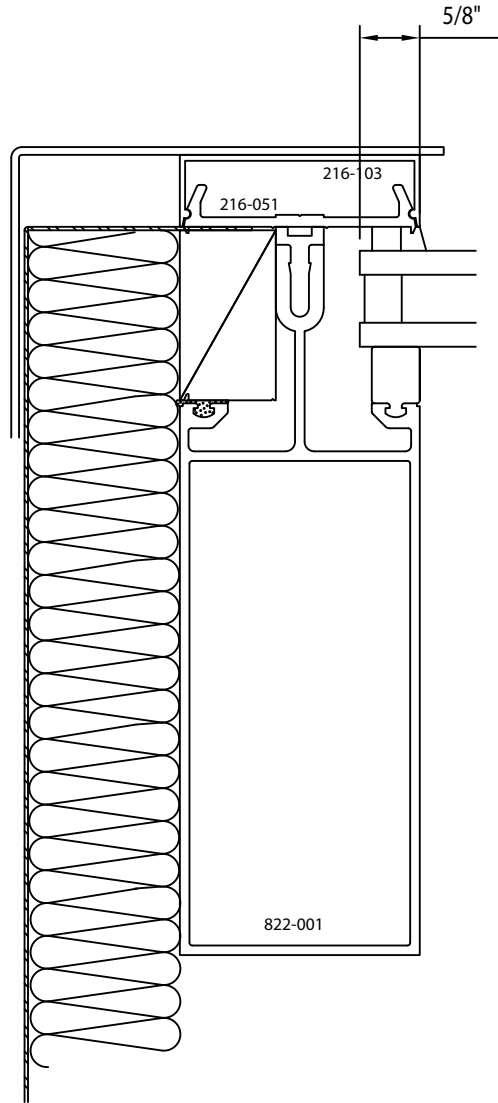


HOLE PREP FOR WIRING

SCALE: Half Scale

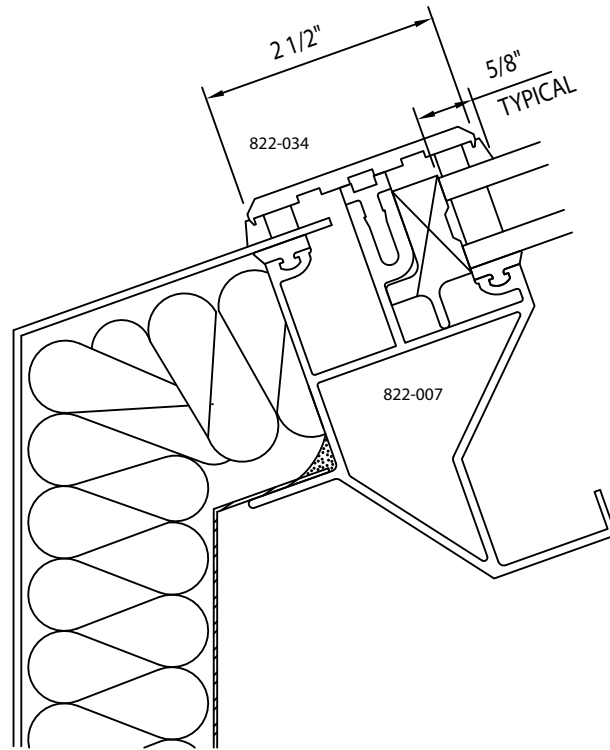
Kawneer 2000 Series Skylight

KL



Kawneer 2000 Series Skylight

KL



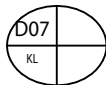
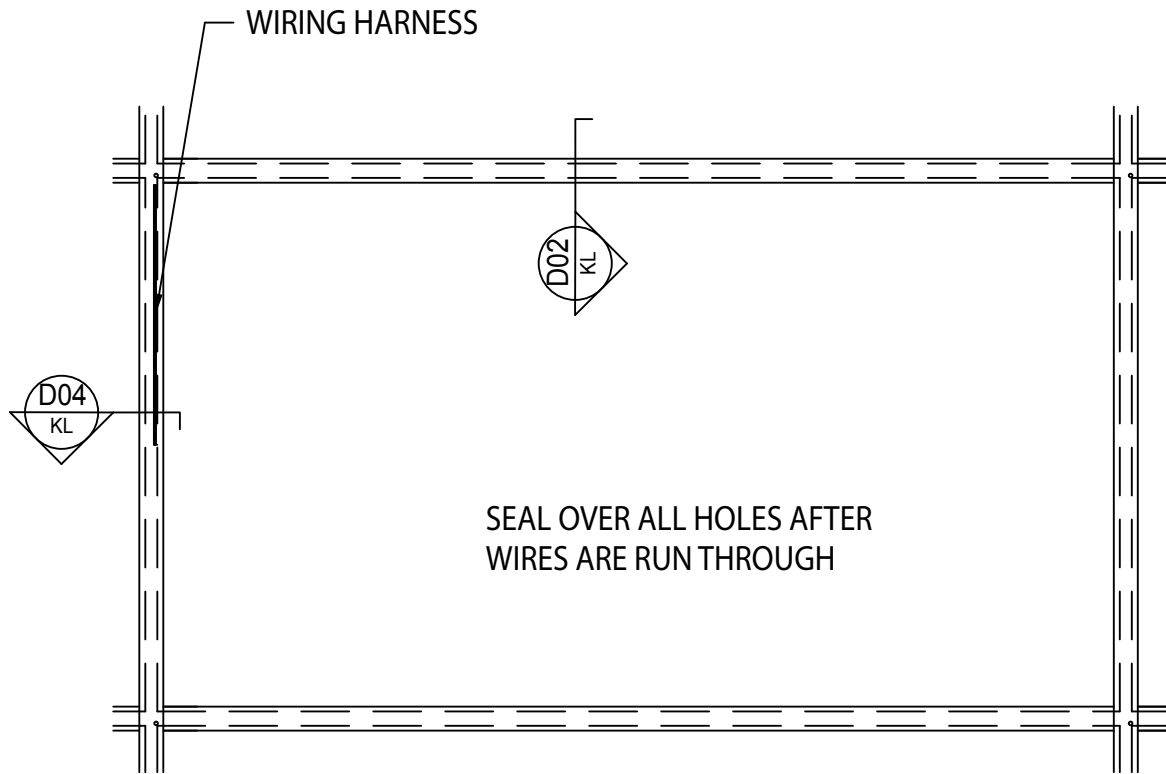
Kawneer 2000 Series Skylight

KL

NOTE:

WIRING HARNESS WILL COME
OUT OF MIDDLE OF THE SIDE
(SHORT EDGE)

WIRING HARNESES TO BE
APPROXIMATELY 18-20" LONG

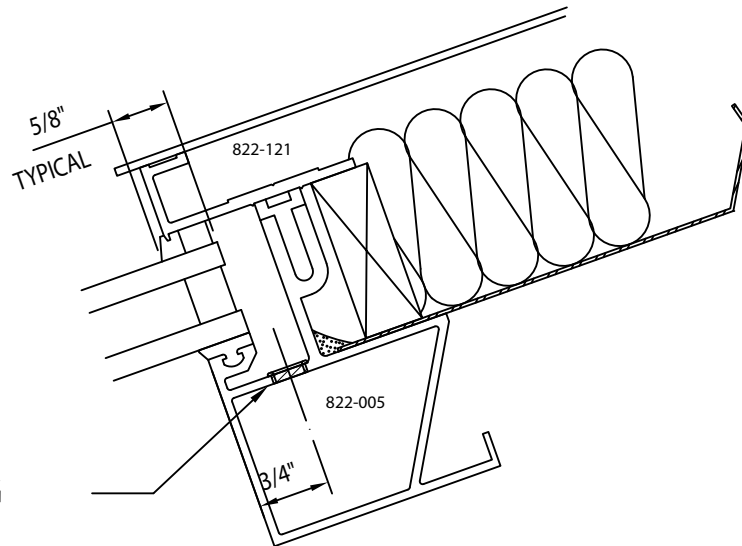


WIRING CONFIGURATION

SCALE: Half Scale

Kawneer 2000 Series Skylight

KL



3/8" ACCESS HOLE W/
GROMMET FOR WIRING
IN RAFTER (SEE D06)

SEAL HOLE AFTER
WIRE IS RUN THROUGH
WIRING HARNESS IS
APPROXIMATEY 1/8"

